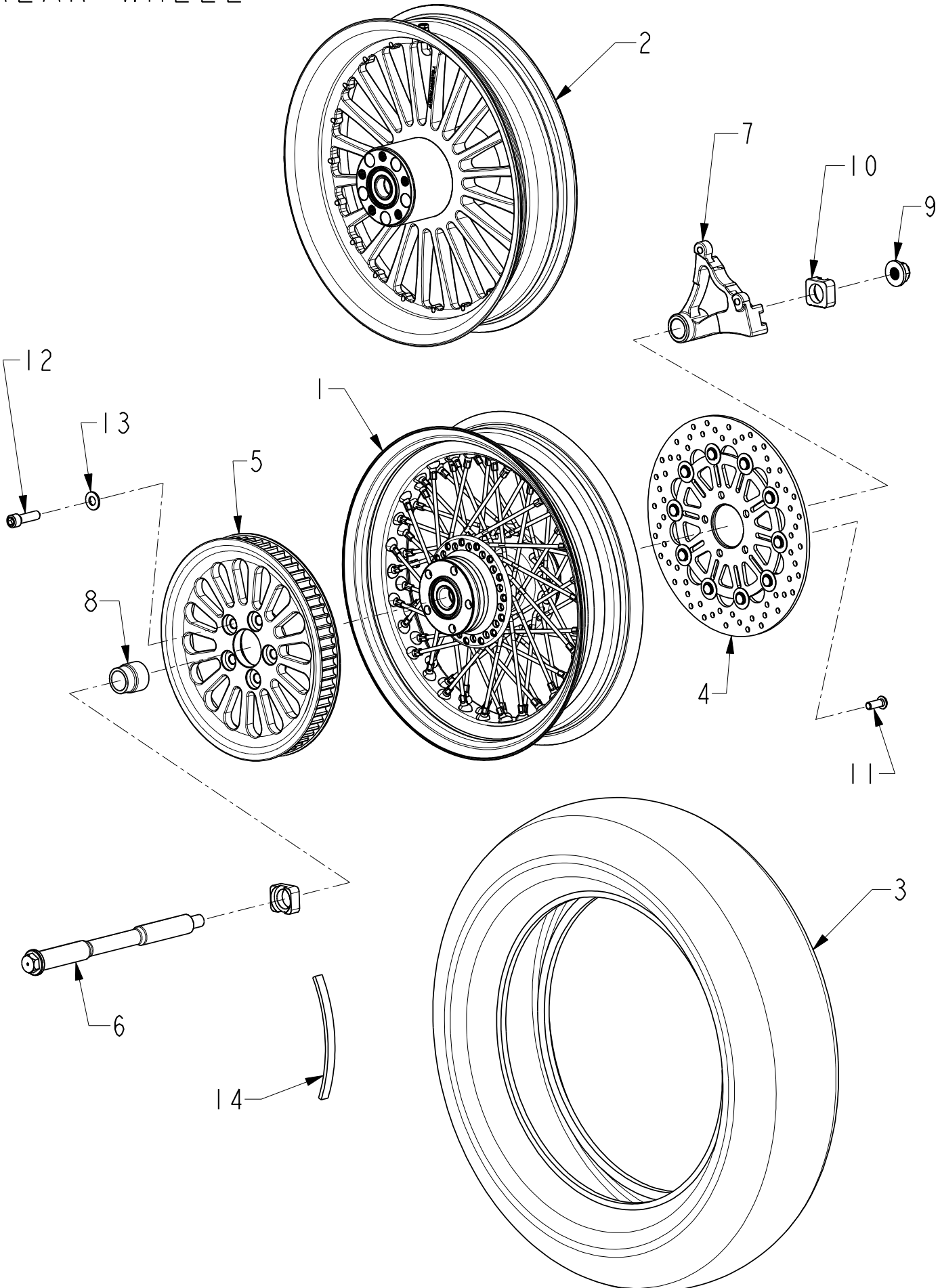


REAR WHEEL



REAR WHEEL



| ITEM NO. | PART NO. | DESCRIPTION | QTY. | MODEL(S) |
|----------|----------|---------------------------------------|------|--------------------------|
| 1 | 51700004 | Rear Wheel, 60 Spoke, CHR | 1 | Classic, RM, Vintage |
| | 51700013 | Rear Wheel, 60 Spoke, Red | 1 | DH, RM, Vintage |
| | 51700018 | Rear Wheel, 60 Spoke, Matte BLK | 1 | DH, Bomber |
| | 51700025 | Rear Wheel, 60 Spoke, Gloss BLK | 1 | DH, RM, Vintage |
| 2 | 51700005 | Rear Wheel, Billet, CHR | 1 | Classic, DH, RM, Vintage |
| 3 | 51800004 | Rear Tire 150/80-16 Michelin BW | 1 | All |
| | 51800005 | Rear Tire 150/80B-16, Metzler WW | 1 | DH, RM, Vintage |
| 4 | 51750098 | Rear Floating Brake Rotor | 1 | Classic, RM, Vintage, DH |
| | 51700022 | Rear Brake Rotor, Matte BLK | 1 | Bomber, DH |
| 5 | 40278050 | Driven Sprocket Assy, 65T | 1 | Classic, RM, Vintage |
| | 40200010 | Driven Sprocket Assy, BLK | 1 | Bomber, DH |
| 6 | 51725996 | Rear Wheel Axel | 1 | All |
| 7 | 50250036 | Rear Caliper Hanger | 1 | All |
| 8 | 51725005 | Rear Wheel Spacer | 1 | All |
| 9 | 70331219 | 5/8-11 Flange Lock nut, Z/C | 1 | All |
| 10 | 51590710 | Adjuster Block, Rear Axel | 2 | All |
| 11 | 70196931 | 3/8-16 X 1.00 BHCS, Z/C | 5 | All |
| 12 | 70100010 | 7/16-14 X 1.50 SHCS, Z/C | 5 | All |
| 13 | 70400001 | 7/16 FLT WSHR, Type A-N, STL-HRD, Z/C | 5 | All |
| 14 | 51724591 | Wheel Weight | 1 | Classic, RM, Vintage |
| | 51700023 | Wheel Weight, BLK | 1 | Bomber, DH |