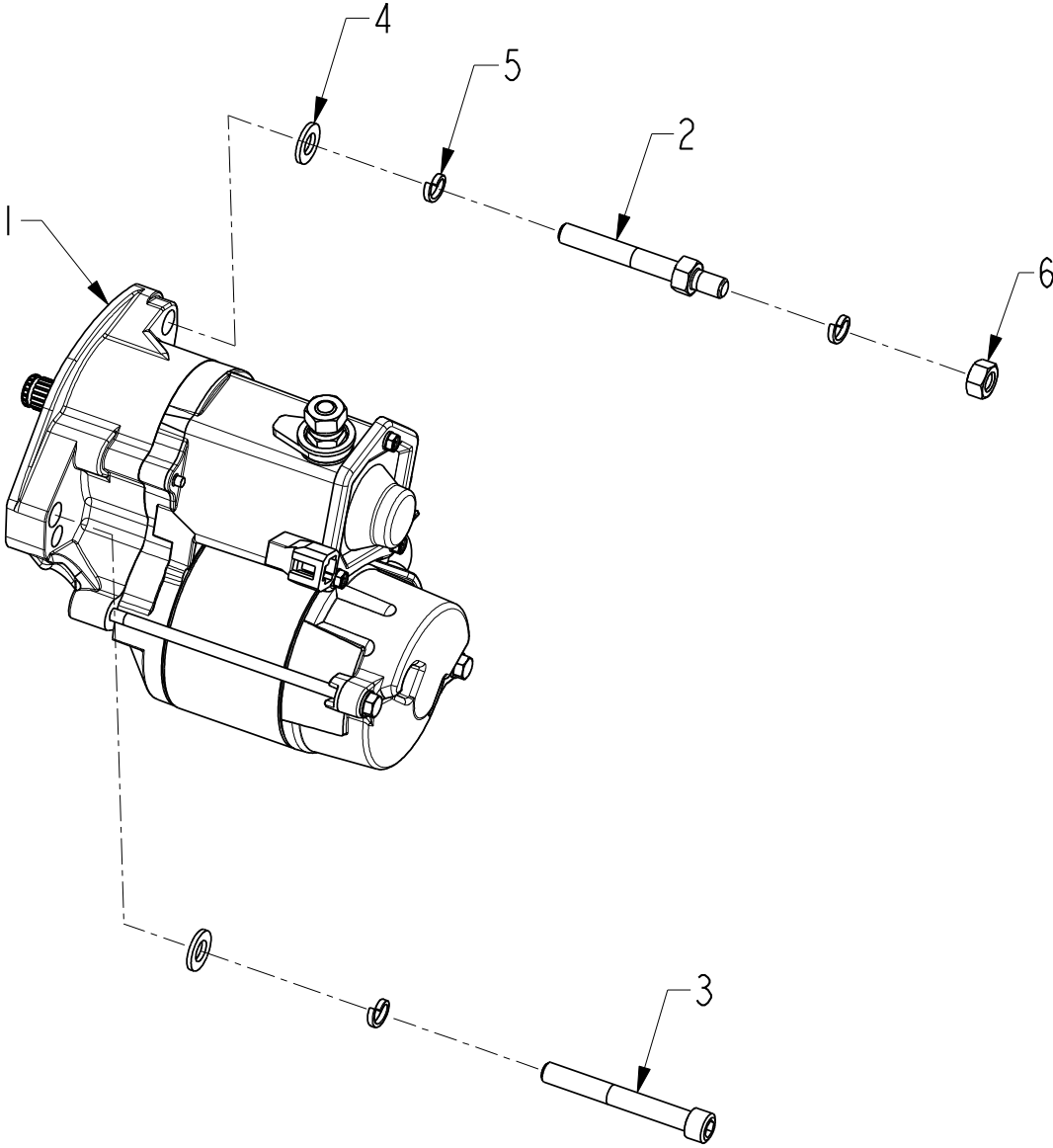


STARTER MOTOR



STARTER MOTOR



ITEM NO.	PART NO.	DESCRIPTION	QTY.	MODEL(S)
1	60794283	Starter Motor	1	All
2	70296320	5/16-18 X 2 X .50 Double Stud	1	All
3	70100041	5/16-18 X 2.50 SHCS. Z/C	1	All
4	70496896	5/16 FLT WSHR, Type B-N STL Z/C	2	All
5	70400010	5/16 Lock WSHR, Split, HICOL, Z/C	3	All
6	70396850	5/16-18 Hex Nut, G8, Z/C	1	All