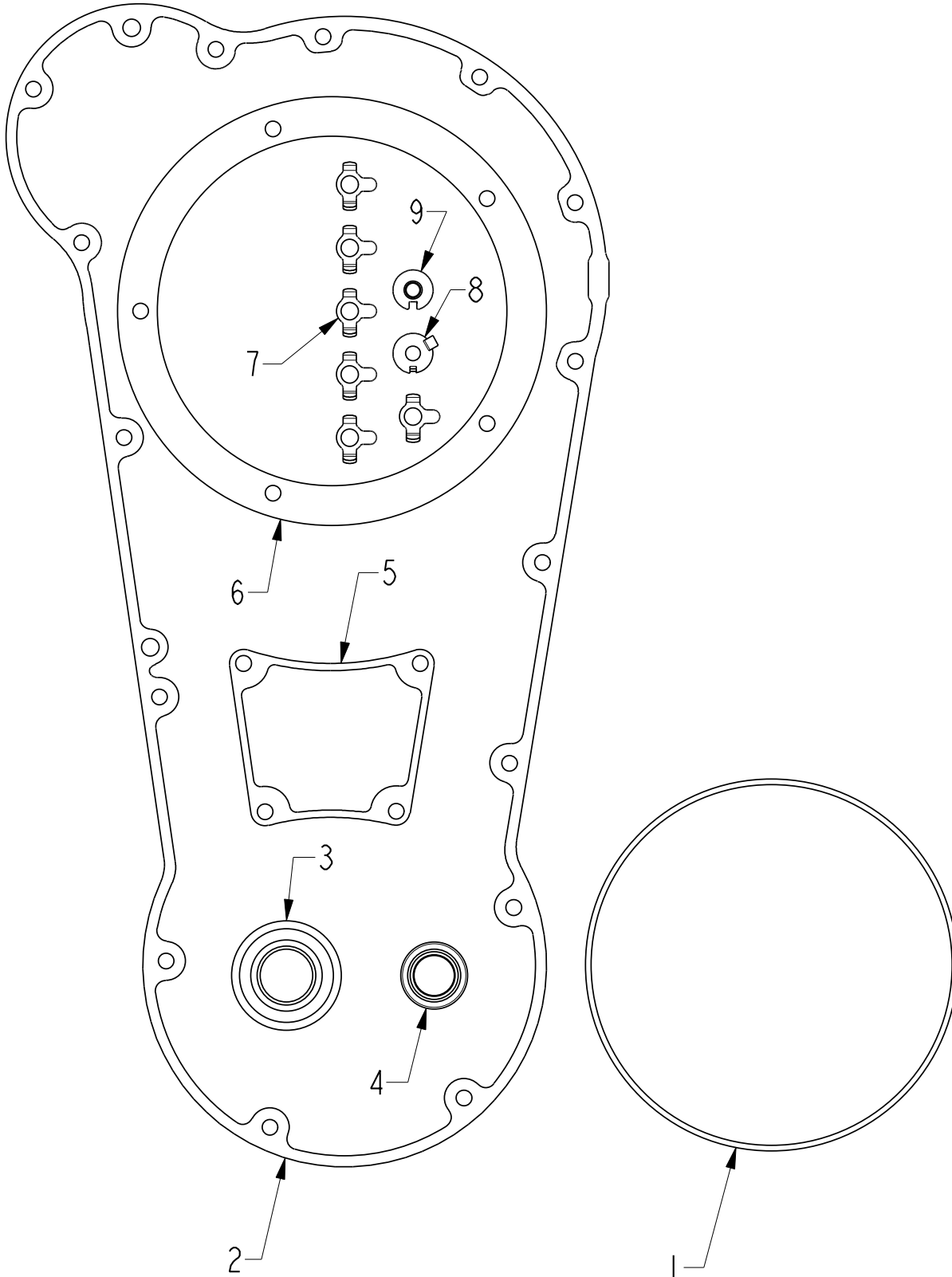


# KIT, PRIMARY GASKET & SEAL



# KIT, PRIMARY GASKET & SEAL



ITEM NO.	PART NO.	DESCRIPTION	QTY.	MODEL(S)
1	73000002	O-Ring 6.737 X .103 Viton	1	All
2	31072318	Primary Cover Gasket	1	All
3	71271004	Seal-Dual Lip 25 X 2 X 7	1	All
4	71271189	Seal-Dual Lip, ¾ X 1 1 /4	1	All
5	31072324	Inspection Cover Gasket	1	All
6	31072326	Clutch Cover Gasket	1	All
7	70496264	5/16 Tabbed Lock WSHR	6	All
8	70471475	Locktab WSHR, ¼ X ¾, Starter	1	All
9	70471495	Sealing WSHR, ¼ X ¾, Starter	1	All