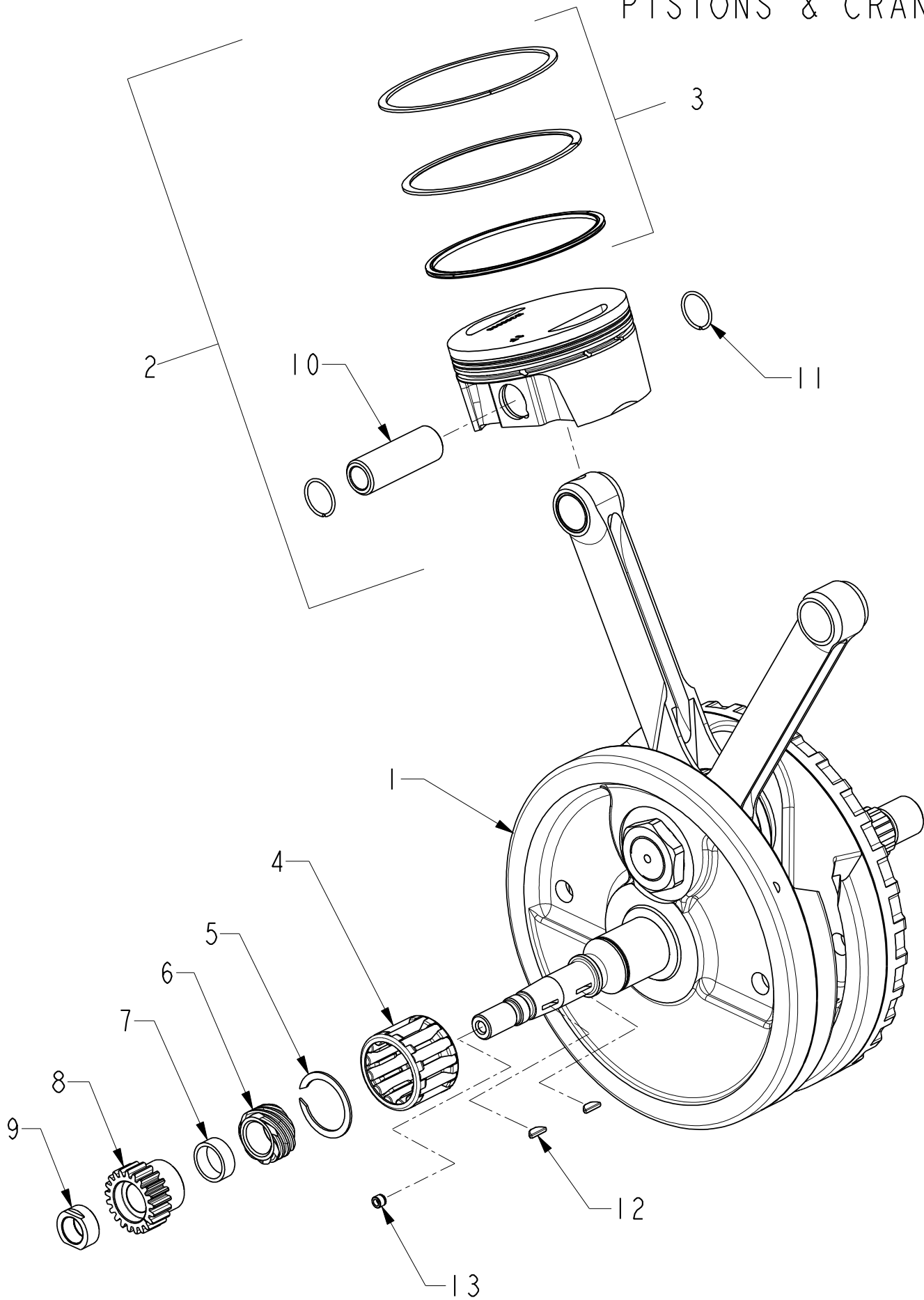


PISTONS & CRANKSHAFT



Pistons & Crankshaft



| ITEM NO. | PART NO. | DESCRIPTION | QTY. | MODEL(S) |
|----------|----------|-----------------------|------|----------|
| 1 | 10701030 | Crank W/Rods | 1 | All |
| 2 | 10300005 | Piston Assy STD | 2 | All |
| 3 | 10301120 | Piston Ring Set, STD | 2 | All |
| 4 | 71300006 | Main Bearing RH Blue | 1 | All |
| | 71300007 | Main Bearing RH Green | 1 | All |
| | 71300008 | Main Bearing RH Red | 1 | All |
| | 71301014 | Main Bearing RH White | 1 | All |
| 5 | 70501059 | Retaining Ring | 1 | All |
| 6 | 11001048 | Drive Gear | 1 | All |
| 7 | 10801049 | Drive Gear Spacer | 1 | All |
| 8 | 10801068 | Pinion Gear | 1 | All |
| 9 | 10701064 | Pinion Shaft Nut | 1 | All |
| 10 | 10301148 | Wrist Pin | 2 | All |
| 11 | 10301093 | C-Clip Retaining Ring | 4 | All |
| 12 | 72900000 | Woodruff Key #304 | 2 | All |
| 13 | 10700008 | Pinion Shaft Plug,080 | 1 | All |