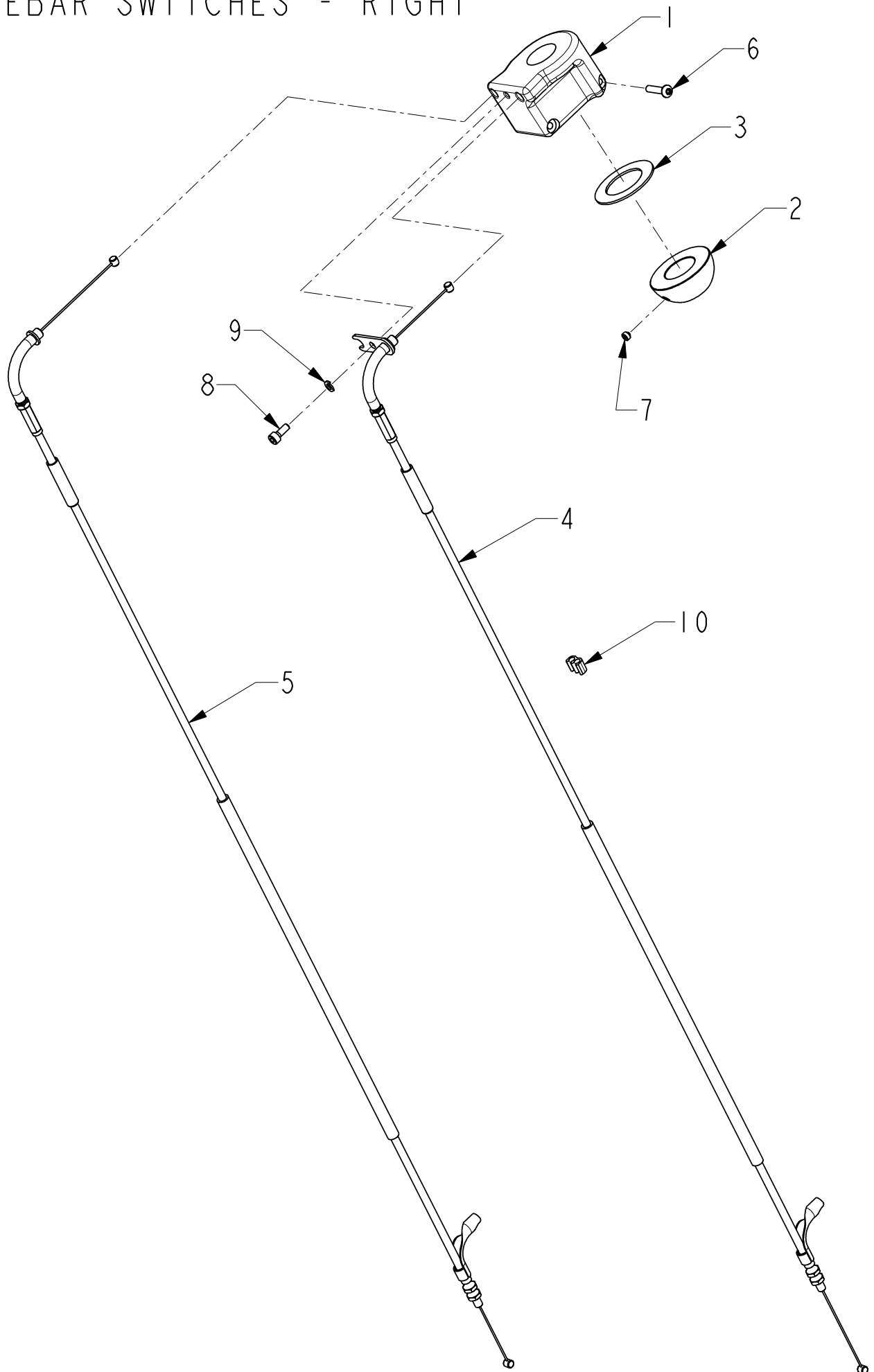


HANDLEBAR SWITCHES - RIGHT



HANDLEBAR SWITCHES - RIGHT



| ITEM NO. | PART NO. | DESCRIPTION | QTY. | MODEL(S) |
|----------|----------|-----------------------------------|------|----------------------|
| 1 | 61200000 | Switches RH, Run, Start, Hazard | 1 | Classic, RM, Vintage |
| | 61200014 | Handlebar Switches, RH, Matte BLK | 1 | DH, Bomber |
| 2 | 52100001 | Hand Control Spacer, CHR | 1 | Classic, RM, Vintage |
| | 52100022 | Hand Control spacer, Matte BLK | 1 | DH, Bomber |
| 3 | 52100002 | Hand Control spacer Gasket | 1 | All |
| 4 | 52161031 | Throttle Cable, Pull | 1 | All |
| 5 | 52141038 | Throttle Cable, Push | 1 | All |
| 6 | 70100086 | M5 X .80 X 25 BHCS, 10.9, Z/C | 2 | Classic, RM, Vintage |
| | 70100097 | M5 X .80 X 25 BHCS, 10.9, Z/B | 2 | DH, Bomber |
| 7 | 70100063 | 10-24 X .19 SSS-CK, Z/C | 1 | All |
| 8 | 70100065 | M5 X .80 X 12 SHCS, 10.9, Z/C | 1 | All |
| 9 | 70400045 | M5 Lock WSHR, split, Z/C | 1 | All |
| 10 | 52100013 | Throttle Cable W-Clip | 1 | All |