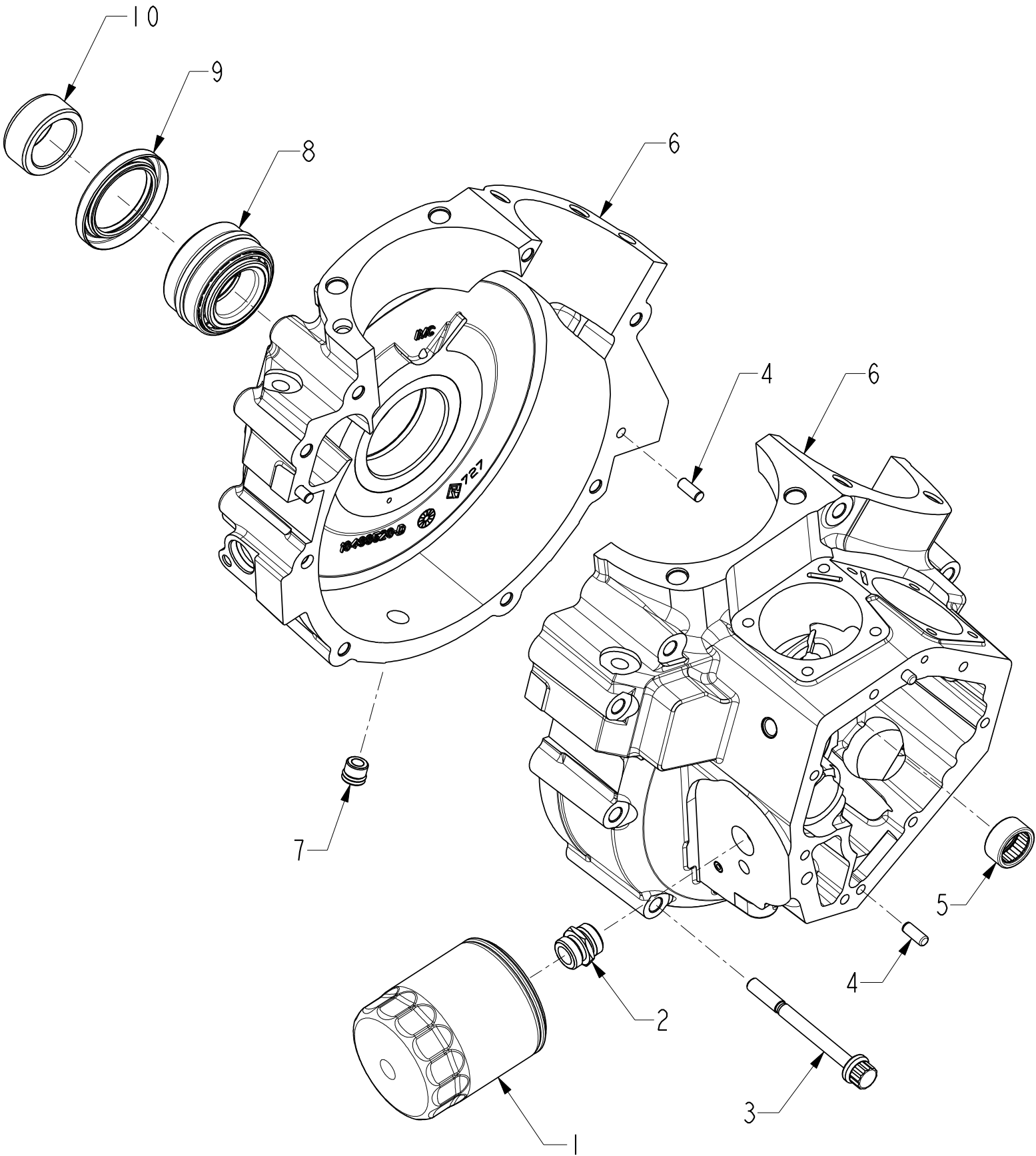


CRANKCASE & ENGINE OIL FILTER



CRANKCASE & OIL FILTER



ITEM NO.	PART NO.	DESCRIPTION	QTY.	MODEL(S)
1	11096022	Oil Filter, Blk	1	All
2	11001089	Oil Filter Adapter	1	All
3	70101281	Crankcase Bolt	8	All
4	70801142	Dowel Pin ¼ X 5/8	4	All
5	71301106	Bearing Cam Inner	1	All
6	10401204	Crankcase Mach Assy	1	All
7	71101017	Drain Plug	1	All
8	71301010	Main Bearing, LH	1	All
9	71201250	Main Seal, LH	1	All
10	10701011	Main Bearing Spacer LH	1	All