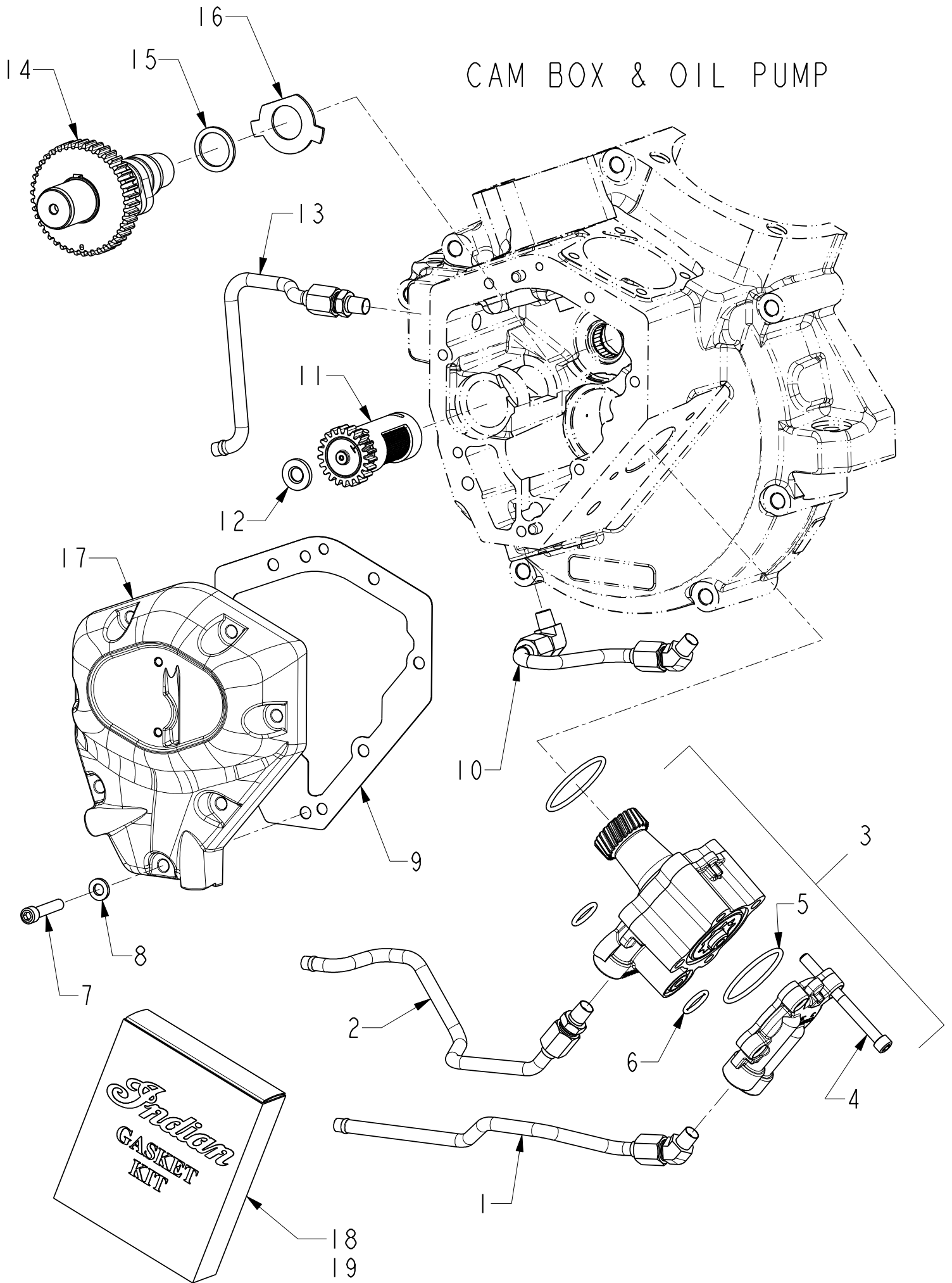


CAM BOX & OIL PUMP



CAM BOX & OIL PUMP



ITEM NO.	PART NO.	DESCRIPTION	QTY.	MODEL(S)
1	71600032	LP Feed Assy	1	All
2	71600033	HP Return Assy	1	All
3	11001243	Oil Pump Assy	1	All
4	70100044	¼-20 X 2.75 SHCS Z/C	2	All
5	73000000	O-Ring 1.612 ID	2	All
6	73000001	O-Ring 0.549 ID	2	All
7	70100049	¼-20 X 1.25 SHCS Z/C	7	All
8	70496894	¼ FLT WSHR Type B-N STL	7	All
9	10601252	Cam Cover Gasket	1	All
10	71600031	HP Oil Feed Assy	1	All
11	11200004	Breather Valve	1	All
12	70400016	Breather Shim 0.100"	1	All
	70400017	Breather Shim 0.110"	1	All
	70400018	Breather Shim 0.120"	1	All
	70400019	Breather Shim 0.130"	1	All
	70400020	Breather Shim 0.140"	1	All
	70400021	Breather Shim 0.150"	1	All
	70400022	Breather Shim 0.160"	1	All
	70400023	Breather Shim 0.170"	1	All
13	71600034	Vent Return Assy	1	All
14	10800004	Camshaft Assy	1	All
15	70400027	Camshaft Shim 0.050 IN	1	All
	70400028	Camshaft Shim 0.055 IN	1	All
	70400029	Camshaft Shim 0.060 IN	1	All
	70400030	Camshaft Shim 0.065 IN	1	All
	70400031	Camshaft Shim 0.070 IN	1	All
	70400032	Camshaft Shim 0.075 IN	1	All
	70400033	Camshaft Shim 0.080 IN	1	All
	70400034	Camshaft Shim 0.085 IN	1	All
	70400035	Camshaft Shim 0.090 IN	1	All
	70400036	Camshaft Shim 0.095 IN	1	All
16	10801105	Cam Thrust WSHR	1	All
17	10500011	Cam Cover Chrome	1	All

CAM BOX & OIL PUMP



ITEM NO.	PART NO.	DESCRIPTION	QTY.	MODEL(S)
18	90100009	Kit, Complete Engine Gasket	1	All
19	90100010	Kit, Oil Pump Gasket	1	All