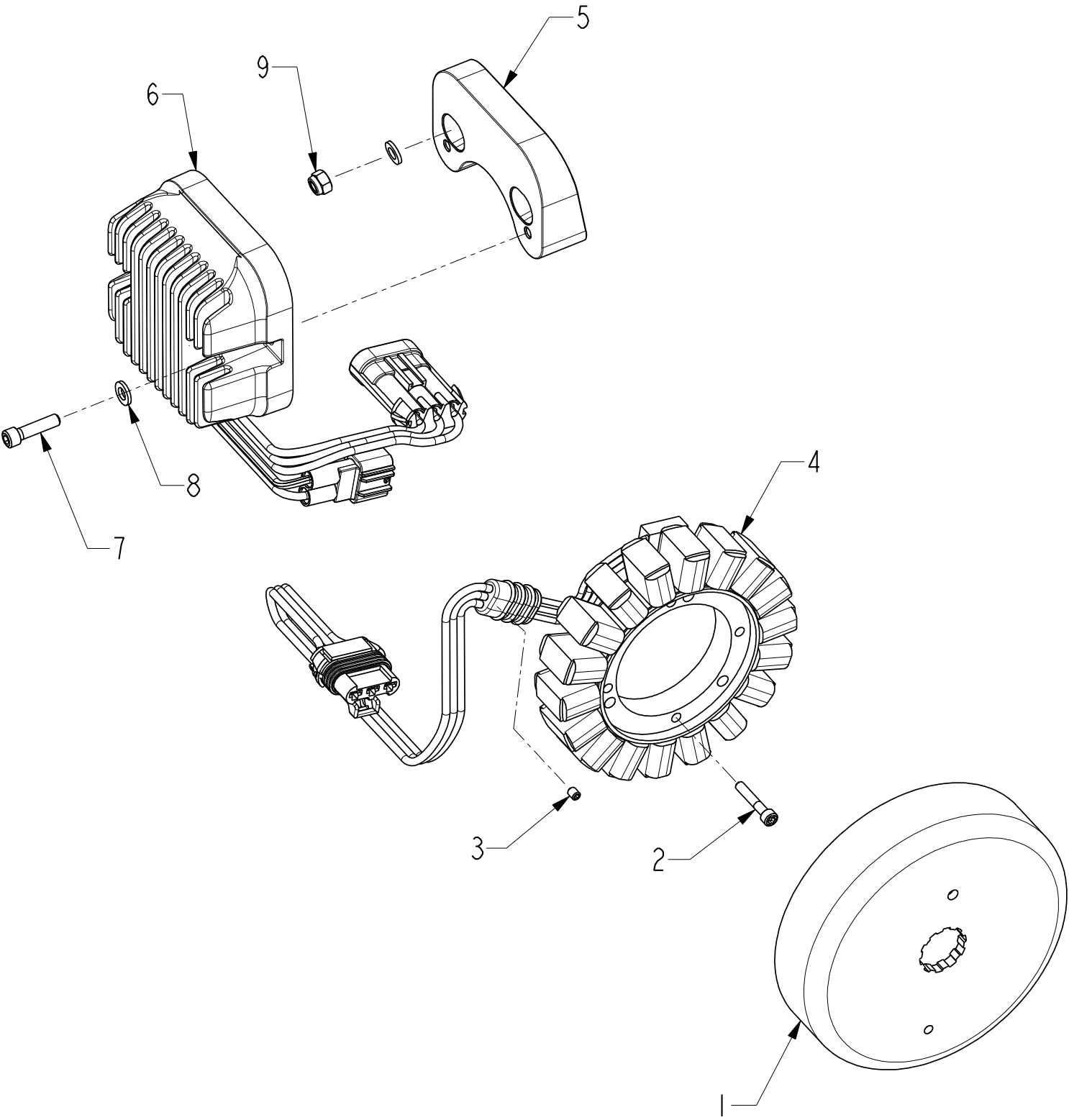


# ALTERNATOR & REGULATOR



# ALTERNATOR & REGULATOR



ITEM NO.	PART NO.	DESCRIPTION	QTY.	MODEL(S)
1	60200002	Alternator Rotor,45A	1	All
2	70100061	10-24 X 1.13 SHCST P/O	4	All
3	70196354	10-24 X .25 SSS-F Z/C	1	All
4	60200001	Alternator Stator, 45A	1	All
5	60200005	Regulator BRKT	1	All
6	60200004	Regulator, 45 Amp Series	1	All
7	70100016	¼-20 X 0.88 SHCS Z/C	2	All
8	70496894	¼ FLT WSHR, Type B-N STL Z/C	4	All
9	70396467	¼-20 Hex Nut, Nylok GC Z/C	2	All