



# INSTRUCTIONS

**Kit Number:**

90500281 REV A

**Kit Description:**

This kit includes A chrome Upper Belt Guard and (2x) Fasteners. The Swingarm is shown for assembly reference only.

**Installation Instructions:**

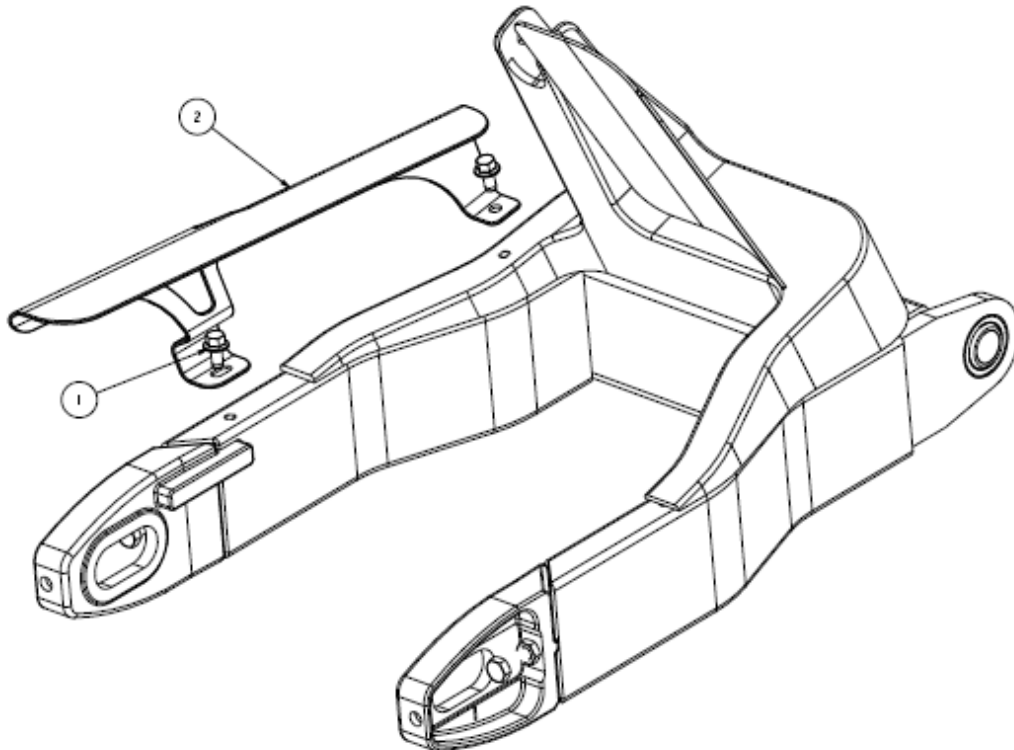
Removal

1. Remove two fasteners (1) and discard
2. Remove upper belt guard (2)

Installation

1. Install chrome belt guard (2) onto bike
2. Install new fasteners (1)
3. Torque to 95-115 lbs. inch

**Exploded View of Assembly:**



**Kit Bill of Material:**

ITEM	PART NUMBER	PART DESCRIPTION	QTY
1	70100067	1/4-20X0.50 HFHS, SELF-TAPPING	2
2	40400007	UPPER BELT GUARD, CHROME	1
3	90800058	INSTR, UPPER BELT GUARD	1

**Additional Kit Requirements:**

KIT NUMBER	KIT DESCRIPTION	QTY
XXXXXXXX1	Description of Required Kit 1	X
XXXXXXXX2	Description of Required Kit 2	X
XXXXXXXX3	Description of Required Kit 3	X

**Kit Retro-fit-ability to Existing Models:**

Y: Directly Retro-fit-able

M: Retro-fit-able with some modification, see your local service provider for details

N: Not Retro-fit-able

MODEL YEAR	MODEL FAMILY					
	CHIEF	SCOUT	N/A	N/A	N/A	N/A
1998	N	N				
1999	N	N				
2000	N	N				
2001	N	N				
2002	N	N				
2003	N	N				
2004	N	N				
2009 +	Y	N				

**Disclaimer:**

To help maintain the value of your motorcycle and to keep from voiding your factory warranty, please remember that skilled technicians using equipment and methods recommended by IMC are best qualified to perform all major repairs and service including installation of Parts and Accessories. Your authorized Indian Motorcycle Dealer knows your motorcycle best and should be consulted for service and assistance.