



INSTRUCTIONS

Kit Number:

90500308 REV A

Kit Description:

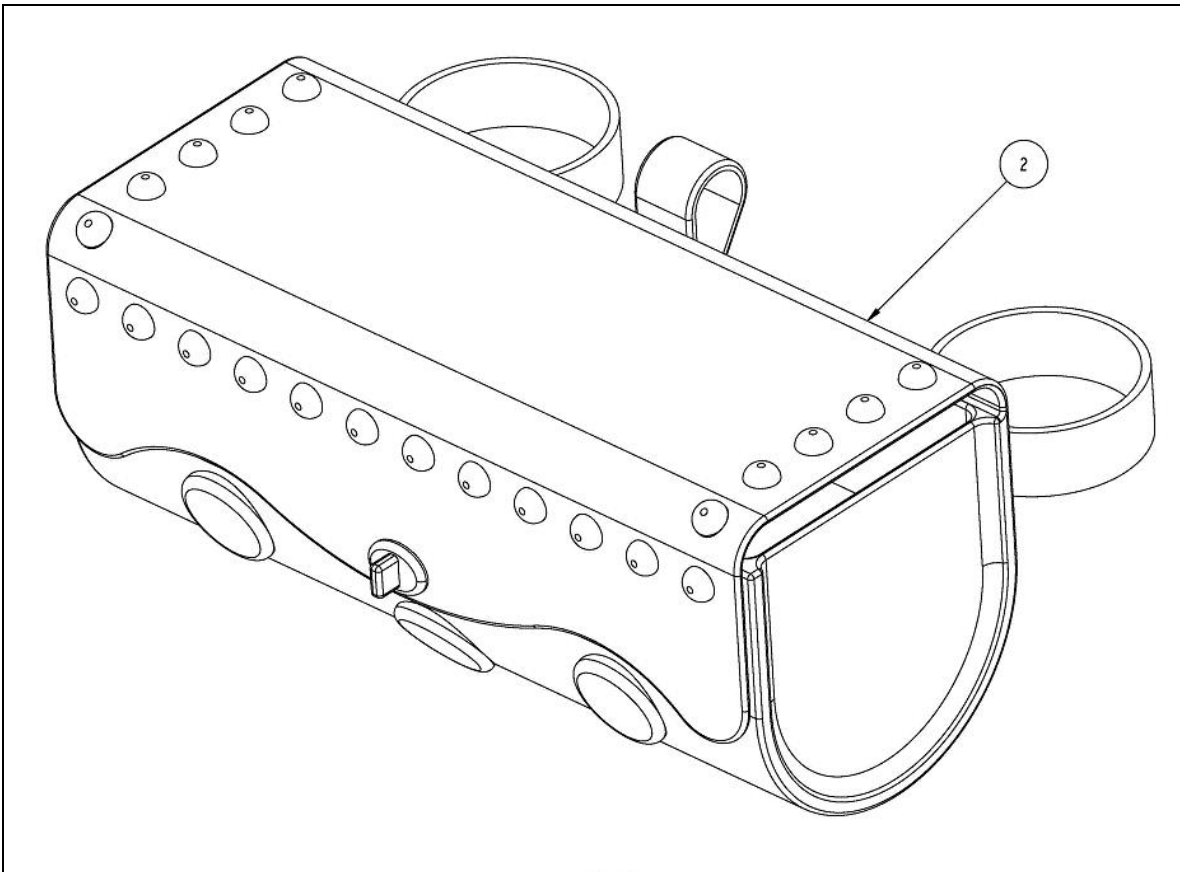
The Tool Pouch Installation Kit contains all components and instructions to install a Tool Pouch to the vehicle. A specific Tool Pouch selection is required.

Installation Instructions:

1. Align tool pouch below the spotlamp bar in front of front forks
2. Strap left and right sides evenly around fork tube covers
3. Use upper mount strap to locate the tool pouch vertically to spotlamp bar
4. Check for proper clearance of tool pouch when forks are compressed fully
5. Adjust mount straps to allow proper clearance between tool pouch and front fender

Note: Contact between bag and fender may cause damage to paint.

Exploded View of Assembly:



Kit Bill of Material:

ITEM	PART NUMBER	PART DESCRIPTION	QTY
1	90800138	Leather Tool Pouch Installation Instructions	1
2	Select Below	Leather Tool Pouch	1

Additional Kit Requirements:

KIT NUMBER	KIT DESCRIPTION	QTY
53100102	Leather Tool Pouch, Premium Black and Brown	1
53100103	Leather Tool Pouch, Premium Brown and Black	1
53100050	Leather Tool Pouch, OE Black	1
53100054	Leather Tool Pouch, OE Tan	1
53100117	Leather Tool Pouch, Distressed Tan	1

Kit Retro-fit-ability to Existing Models:

Y: Directly Retro-fit-able

M: Retro-fit-able with some modification, see your local service provider for details

N: Not Retro-fit-able

MODEL YEAR	MODEL FAMILY					
	CHIEF	SCOUT	N/A	N/A	N/A	N/A
1998	N	N				
1999	N	N				
2000	N	N				
2001	N	N				
2002	N	N				
2003	M	N				
2004	M	N				
2009 +	Y	N				

Disclaimer:

To help maintain the value of your motorcycle and to keep from voiding your factory warranty, please remember that skilled technicians using equipment and methods recommended by IMC are best qualified to perform all major repairs and service including installation of Parts and Accessories. Your authorized Indian Motorcycle Dealer knows your motorcycle best and should be consulted for service and assistance.