



INSTRUCTIONS

Applies to Kit Number(s):

90500321 REV A

Kit Description:

This kit includes the hardware necessary to install one set of toe pegs (2 shift, 1 brake).

Installation Instructions:

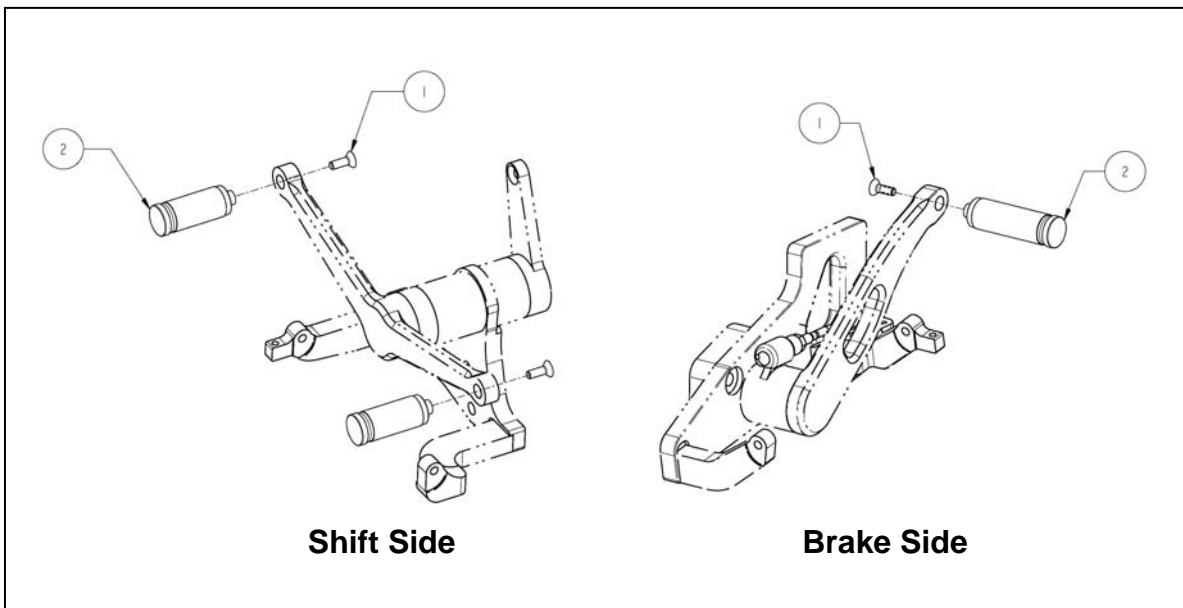
Removal

1. Remove fastener (1) and toe peg (2) from front foot shifter. Discard.
2. Remove fastener (1) and toe peg (2) from rear foot shifter. Discard.
3. Remove fastener (1) and toe peg (2) from rear brake lever. Discard.

Installation

4. Install fastener (1) and toe peg (2) into front foot shifter. Torque to 95-115 lbs. inch
5. Install fastener (1) and toe peg (2) into rear foot shifter. Torque to 95-115 lbs. inch
6. Install fastener (1) and toe peg (2) into rear brake lever. Torque to 95-115 lbs. inch

Exploded View of Assembly:



Kit Bill of Material:

ITEM	PART NUMBER	PART DESCRIPTION	QTY
1	70196147	1/4-20 x 3/4 FHCS, Z/C	3
3	90800126	INSTRUCTION SHEET	1

Additional Kit Requirements:

ITEM	PART NUMBER	KIT DESCRIPTION	QTY
	Select From Below	TOE PEG SET	
2	90500147	MILLENNIUM TOE PEG SET	1
2	90500148	RUBBER BANDED TOE PEG SET	1
2	90500149	DIAMOND TOE PEG SET	1
2	90500150	MILLED TOE PEG SET	1

Kit Retro-fit-ability to Existing Models:

Y: Directly Retro-fit-able

M: Retro-fit-able with some modification, see your local service provider for details

N: Not Retro-fit-able

MODEL YEAR	MODEL FAMILY					
	CHIEF	SCOUT	N/A	N/A	N/A	N/A
1998						
1999						
2000						
2001						
2002						
2003						
2004						
2009 +	Y	N/A				

Disclaimer:

To help maintain the value of your motorcycle and to keep from voiding your factory warranty, please remember that skilled technicians using equipment and methods recommended by IMC are best qualified to perform all major repairs and service including installation of Parts and Accessories. Your authorized Indian Motorcycle Dealer knows your motorcycle best and should be consulted for service and assistance.