



# INSTRUCTIONS

**Kit Number:**

90500319 REV A

**Kit Description:**

P&A Shift Linkage Kit. This kit is a direct replacement of OE components re-using installed spacers. Kit includes a new shift linkage with installed rod ends, as well as mounting fasteners.

**Installation Instructions:**

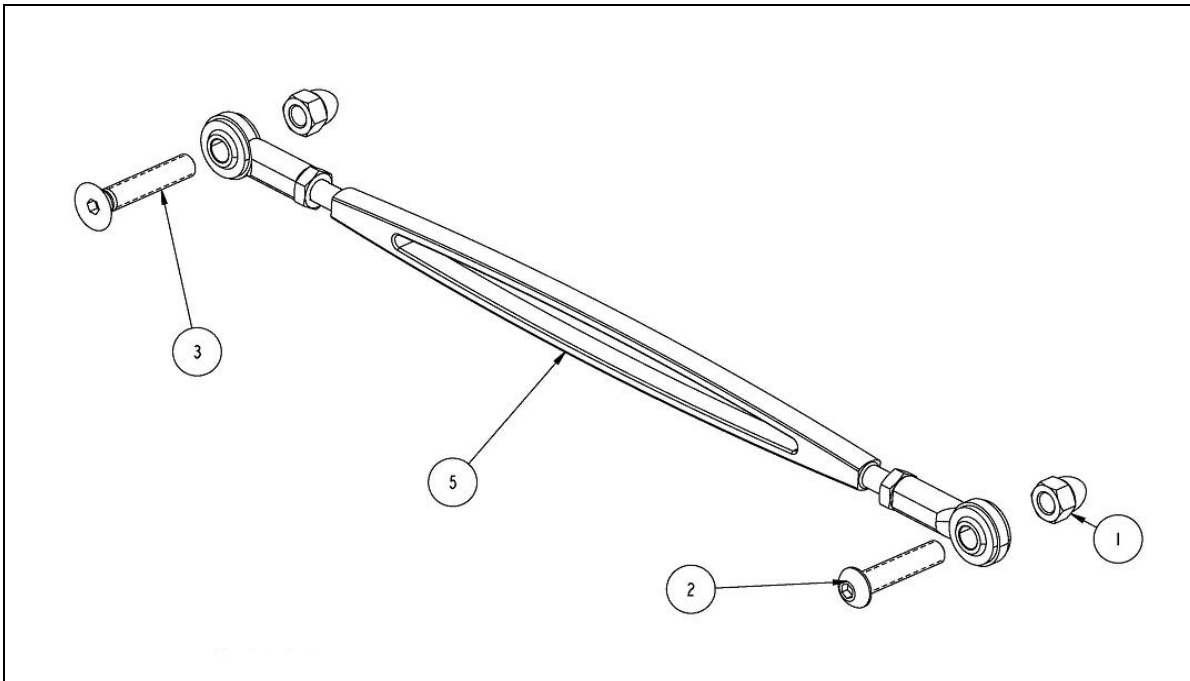
Removal

1. Place cloth or cover over primary prevent damage
2. Remove mounting fastener (3) and nut (1). Discard
3. Remove mounting fastener (2) and nut (1). Discard
4. Remove shift linkage

Installation

1. Install new shift linkage (5), mounting fastener(2) and nut (1). DO NOT TIGHTEN
2. Install mounting fastener (3) and nut (1). DO NOT TIGHTEN
3. Check shift levers to foot clearance.
4. Adjust if necessary.
5. Torque heim joint nut to 16-20lbs. ft
6. Torque mounting fasteners( 2, 3) to 13-17 lbs. ft

**Exploded View of Assembly:**



**Kit Bill of Material:**

ITEM	PART NUMBER	PART DESCRIPTION	QTY
5	Select Below	Shift Linkage Assembly, Open (shown as REFERENCE)	1
4	90800124	Instructions, Shift Linkage Assembly (not illustrated)	1
3	70100057	5/16-24X1.75 Flat Head Cap, Chrome	1
2	70100070	5/16-24X1.5 Button Head Cap, Chrome	1
1	70396864	5/15-24 Hex Acorn Nut, Chrome	2

**Additional Kit Requirements:**

ITEM	PART NUMBER	PART DESCRIPTION	QTY
5	90500057	Shift Linkage Assembly, Open	1
5	90500056	Shift Linkage Assembly, Classic	1
5	90500058	Shift Linkage Assembly, Arrow	1

**Kit Retro-fit-ability to Existing Models:**

Y: Directly Retro-fit-able

M: Retro-fit-able with some modification, see your local service provider for details

N: Not Retro-fit-able

MODEL YEAR	MODEL FAMILY					
	CHIEF	SCOUT	N/A	N/A	N/A	N/A
1998	N	N				
1999	N	N				
2000	N	N				
2001	N	N				
2002	N	N				
2003	M	N				
2004	M	N				
2009 +	Y	N				

**Disclaimer:**

To help maintain the value of your motorcycle and to keep from voiding your factory warranty, please remember that skilled technicians using equipment and methods recommended by IMC are best qualified to perform all major repairs and service including installation of Parts and Accessories. Your authorized Indian Motorcycle Dealer knows your motorcycle best and should be consulted for service and assistance.