



INSTRUCTIONS

Kit Number:

90500304 REV A

Kit Description:

The Rotary Latch Update Kit contains components required to up-fit all soft saddlebags and hard saddlebags to quick release capability.

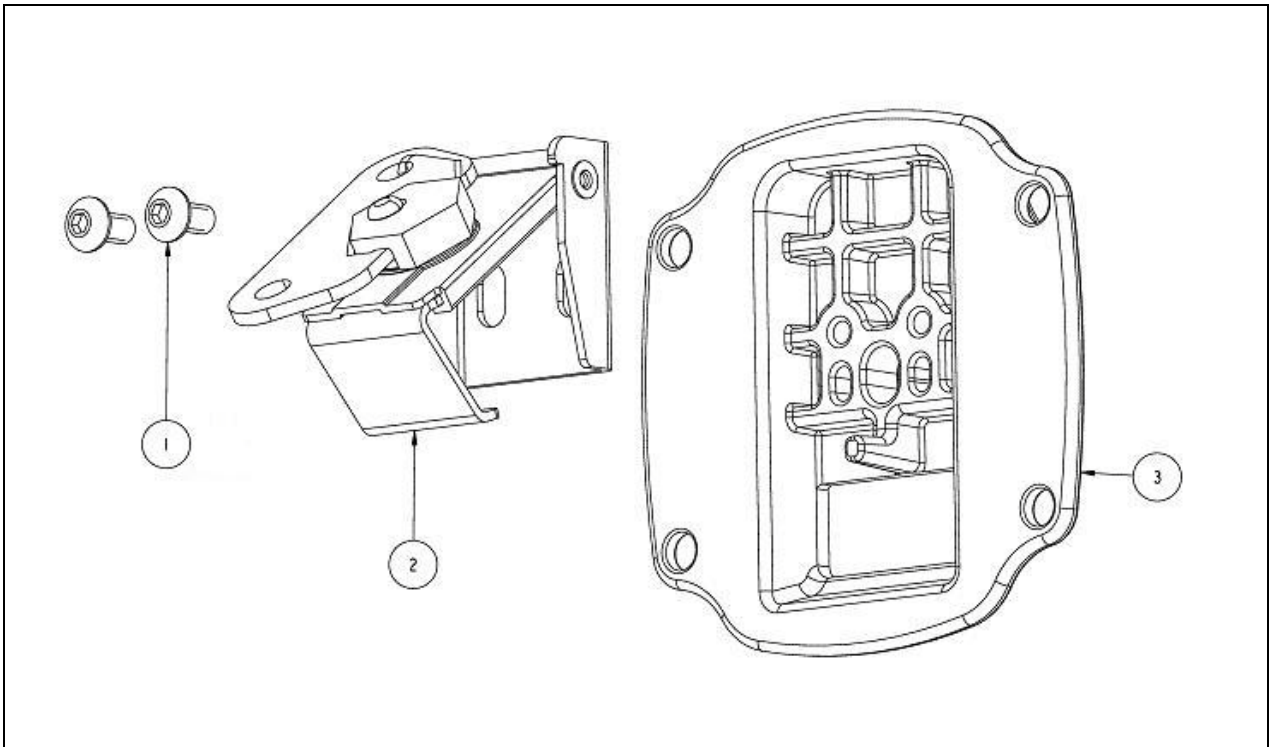
Installation Instructions:

1. Remove saddlebag from motorcycle if equipped
2. Install fasteners (1) through rotary latch (2) into saddlebag hanger bracket (3)
3. The rotary latch (2) can be aligned vertically on hanger bracket (3) to allow different clamp loads between the latch and the eyebrow mount (not shown)
4. A good starting point is to have the rotary latch positioned approximately in the center of its available vertical travel within the hanger bracket (3)
5. Apply blue loctite (#242) or equivalent to fasteners (1) and torque to 18-22 lbs. inch
6. Install saddlebags on motorcycle and rotate latch to "full open" or "full extended" position.
7. With bag installed on the vehicle, swing the latch in and out of its full range of motion to determine that there is no contact with the saddlebag hanger bracket (3) or the eyebrow mount (not shown).
8. If no contact is made during step 7, rotate latches to full close position to establish clamp load on the eyebrow mount (not shown).
9. The rotary latch should not be *forced* to rotate close. If latch will not close then adjustment will be necessary

Warning: *excessive force placed when closing rotary latch will cause yielding in the latch mechanism.*

10. If contact is made during step 7, repeat steps 1-4 but adjust rotary latch slightly lower in the hanger bracket.
11. Apply blue loctite (#242) or equivalent to fasteners (1) and torque to 18-22 lbs. inch
12. Install saddlebags on motorcycle and close rotary latch.

Exploded View of Assembly:



Kit Bill of Material:

ITEM	PART NUMBER	PART DESCRIPTION	QTY
1	70100080	#10-24x.375" Button Head Cap Screw, Z/B	8
3	52400031	Hanger Bracket – SHOWN FOR REFERENCE ONLY	0
2	52400033	Rotary Latch	4
	90800123	Rotary Latch Update Instruction Sheet	1

Additional Kit Requirements: NONE

Kit Retro-fit-ability to Existing Models:

Y: Directly Retro-fit-able

M: Retro-fit-able with some modification, see your local service provider for details

N: Not Retro-fit-able

MODEL YEAR	MODEL FAMILY				
	CHIEF	SCOUT	N/A	N/A	N/A
1998	N	N			
1999	N	N			
2000	N	N			
2001	N	N			
2002	N	N			
2003	M	N			
2004	M	N			
2009 +	Y	N			

Disclaimer:

To help maintain the value of your motorcycle and to keep from voiding your factory warranty, please remember that skilled technicians using equipment and methods recommended by IMC are best qualified to perform all major repairs and service including installation of Parts and Accessories. Your authorized Indian Motorcycle Dealer knows your motorcycle best and should be consulted for service and assistance.