



INSTRUCTIONS

Kit Number:

90500307 REV A

Kit Description:

The Rear Fender Skirt Installation Kit contains all components, hardware, fasteners, and instructions to install a Rear Fender Skirt to the vehicle. A specific Rear Fender Skirt selection is required.

Installation Instructions:

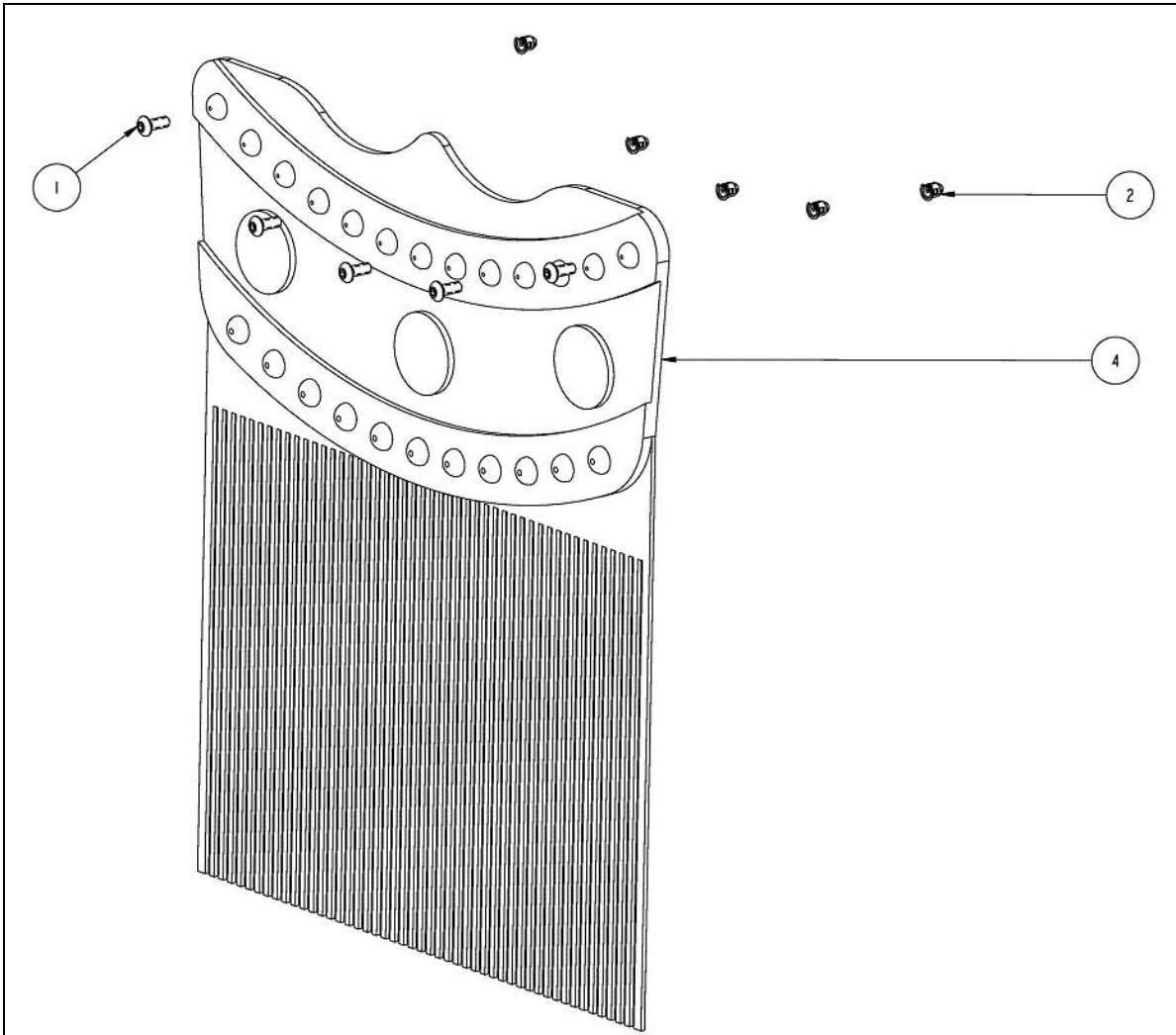
In addition to the supplied product and hardware kit, a flexible scale, a sharp tipped marker, 2" masking tape, a wax pencil, a center punch, an .125" drill bit, a .25" drill bit, a bottle of matching touch-up paint, a soft blow hammer, and a 1/8" allen driver are required for proper installation.

Installation

1. Install (3) pieces of 2" tape, one strip approximately on center line of the rear fender, and one each along the piping of the rear fender.
2. Determine centerline of fender and mark lightly (approximately 6" in length) with the wax pencil.
3. Using a flexible scale, measure up approximately 15-17mm from the edge of the fender on the centerline, and make a small cross mark with the wax pencil.
4. Place the Rear Fender Skirt on the fender, centering the middle "peak" of the Rear Fender Skirt on the wax centerline.
5. With the Rear Fender Skirt in this centered position, lift the decorative cover panel of the Rear Fender Skirt to expose the center mounting hole. Adjust the vertical position of the Rear Fender Skirt – while maintaining the center line position at the peak - such that the small cross mark made in STEP #3 is visible in the center most mount hole.
6. With the Rear Fender Skirt now centered and adjusted vertically, push the edges of the Rear Fender Skirt back, molding them by hand, tightly to the contours of the rear fender. If properly positioned, the outside edges of the fender skirt should fall just short of the piping installed on the rear fender. Shift the Rear Fender Skirt vertically slightly, up or down, to achieve a satisfactory outer edge location.
7. Having achieved satisfactory location of the Rear Fender Skirt to the Fender, again lift the decorative cover panel to expose the center mounting hole, which should still be located on the piece of masking tape from Step #3, and using the Rear Fender Skirt as a template, transfer the center hole position onto the tape using the black sharp tipped marker.
8. Remove the Rear Fender Skirt from the rear fender.
9. Using the center punch, punch the center hole location on the mark on the masking tape.

10. Using the .125" drill, drill through the rear fender, at the center punch location.
11. Using the .25" drill, drill through the rear fender, expanding the .125" hole to the final size of .25".
12. Remove bits of tape from around the hole.
13. If necessary, use touch -up paint to repair area around drilled fender hole.
14. Using the soft blow hammer, install the 1/8" Tubular Nut(2) into the .25" hole.
15. Install a #10-24X.5" fastener (1) through the center hole of the Rear Fender Skirt.
16. Using the soft blow hammer, install the Rear Fender Skirt and fastener onto the fender, tapping them into the tubular nut installed in STEP #13.
17. With the Rear Fender Skirt installed to the rear fender using the single center fastener, again tightly mold the Rear Fender Skirt to the rear fender by hand, checking outer edge fitment to the piping on the fender.
18. Level top edges of the Rear Fender Skirt by eye, and using the sharp tipped marker, transfer each of the edge locations to the 2" masking tape installed in STEP #1.
19. Using the scale, measure up from the lower edge of the rear fender near the piping to the mark established in STEP #18. Use a common point to measure from on the left and right sides of the fender.
20. The measurement in STEP #19 will be approximately the same for the left and right sides of the fender when the Rear Fender Skirt is mounted in a level condition. Repeat STEPS #17-19 until measurements on left and right are approximately the same.
21. Using the centered and leveled Rear Fender Skirt as a template, lift the decorative cover panel and transfer the hole positions left and right of center to the rear fender using the wax pencil.
22. Install pieces of masking tape centered upon each of the new wax marks.
23. With the Rear Fender Skirt still installed with the center fastener, tightly mold the Rear Fender Skirt to the rear fender, returning top edges to locations established in STEP #18, and using the Rear Fender Skirt as a template and the sharp tipped marker, transfer one hole position left of center and one hole position right of center to the piece of tape installed in STEP #22.
24. Remove Rear Fender Skirt and center fastener, using the 1/8" allen driver back out the center fastener.
25. Center punch marks from STEP #23.
26. Drill each center punch with .125" drill.
27. Expand each .125" hole to .25" using the .25" drill.
28. Remove bits of tape from around each hole.
29. If necessary, use touch -up paint to repair area around drilled fender hole.
30. Install 1/8" Tubular nut into each new hole using the soft blow hammer.
31. Install three #10-24X.5" fasteners (1) into the Rear Fender Skirt.
32. Using the soft blow hammer, drive each fastener into its tubular nut.
33. Tightly mold the Rear Fender Skirt to the rear fender.
34. Using the Rear Fender Skirt as a template and the sharp tipped marker, transfer the last two hole locations to the small pieces of tape from STEP #1.
35. Repeat Steps #25-#30
36. All fasteners can now be installed to the Rear Fender Skirt.
37. Using the soft blow hammer, the Rear Fender Skirt can be finish installed by driving each

fastener into its tubular nut.Exploded View of Assembly:



Kit Bill of Material:

ITEM	PART NUMBER	PART DESCRIPTION	QTY
1	70100031	10-24 X .50 Button Head Cap Screw, Z/C	5
2	70300020	1/8" Tubular Nut	5
3	90800137	Rear Fender Skirt Installation Instructions	1
4	Select Below	Rear Fender Skirt	1

Additional Kit Requirements:

PART NUMBER	PART DESCRIPTION	QTY
53100021	Rear Fender Skirt, Premium Black and Brown	1
53100022	Rear Fender Skirt, Premium Brown and Black	1
53100025	Rear Fender Skirt, OE Black	1
53100029	Rear Fender Skirt, OE Tan	1

53100113	Rear Fender Skirt, Distressed Tan	1
----------	-----------------------------------	---

Kit Retro-fit-ability to Existing Models:

Y: Directly Retro-fit-able

M: Retro-fit-able with some modification, see your local service provider for details

N: Not Retro-fit-able

MODEL YEAR	MODEL FAMILY					
	CHIEF	SCOUT	N/A	N/A	N/A	N/A
1998	N	N				
1999	N	N				
2000	N	N				
2001	N	N				
2002	N	N				
2003	M	N				
2004	M	N				
2009 +	Y	N				

Disclaimer:

To help maintain the value of your motorcycle and to keep from voiding your factory warranty, please remember that skilled technicians using equipment and methods recommended by IMC are best qualified to perform all major repairs and service including installation of Parts and Accessories. Your authorized Indian Motorcycle Dealer knows your motorcycle best and should be consulted for service and assistance.