



# INSTRUCTIONS

**Kit Number:**

90500285 REV A

**Kit Description:**

The Quick Detach, Solo Seat Fender Rack Kit includes, the Detachable, Solo Luggage Rack, compression springs, and quarter turn hardware.

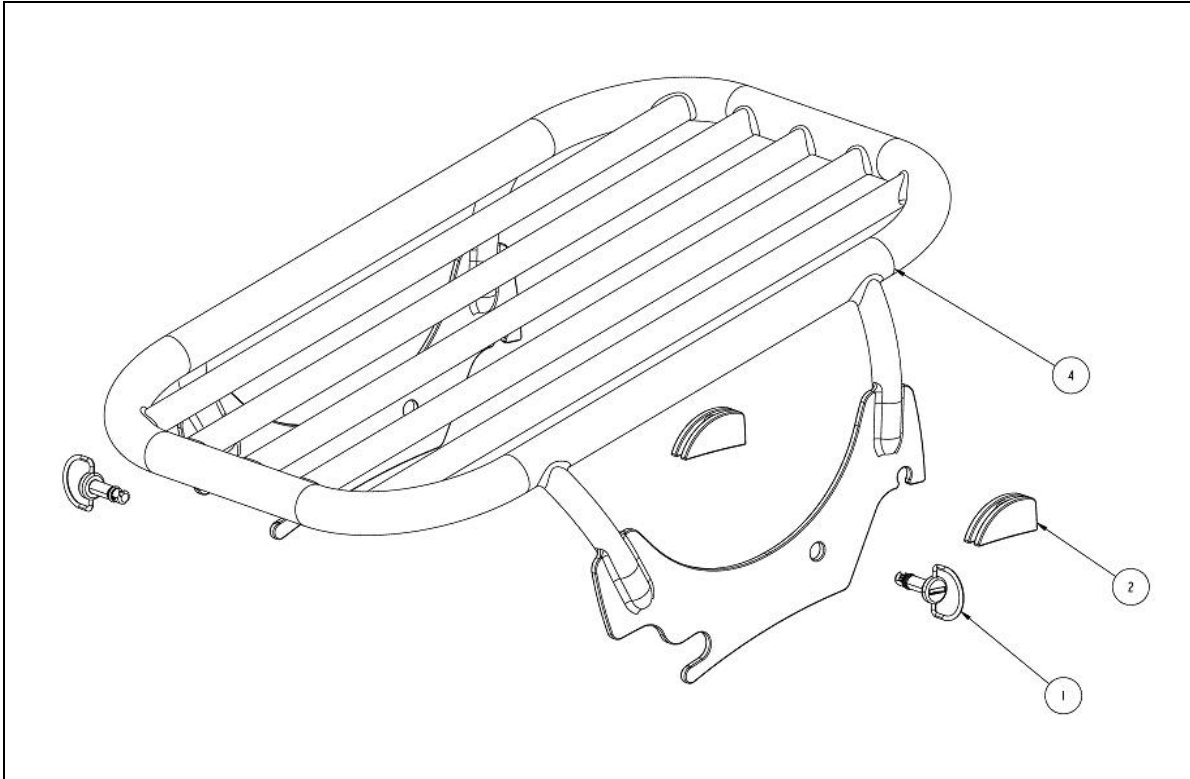
**Installation Instructions:**

*Note: This kit can only be used with a solo seat.*

Installation

1. Install bag/ quick detach mount kit (#90500270) if needed
2. Install compression springs (2) to solo fender rack (4)
3. Install solo fender rack (4) onto bike
4. Secure with ¼ fasteners (1)

**Exploded View of Assembly:**



**Kit Bill of Material:**

ITEM	PART NUMBER	PART DESCRIPTION	QTY
1	70200003	6mm ¼ Turn Stud, 18mm Long, Chrome	2
2	51600097	Compression Spring, Black	2
4	90500158	Detachable, Solo Luggage Rack	1

**Additional Kit Requirements: NONE**

**Kit Retro-fit-ability to Existing Models:**

Y: Directly Retro-fit-able

M: Retro-fit-able with some modification, see your local service provider for details

N: Not Retro-fit-able

MODEL YEAR	MODEL FAMILY					
	CHIEF	SCOUT	N/A	N/A	N/A	N/A
1998	N	N				
1999	N	N				
2000	N	N				
2001	N	N				
2002	N	N				
2003	M	N				
2004	M	N				
2009 +	Y	N				

**Disclaimer:**

To help maintain the value of your motorcycle and to keep from voiding your factory warranty, please remember that skilled technicians using equipment and methods recommended by IMC are best qualified to perform all major repairs and service including installation of Parts and Accessories. Your authorized Indian Motorcycle Dealer knows your motorcycle best and should be consulted for service and assistance.