



# INSTRUCTIONS

**Kit Number:**

90500291 REV A

**Kit Description:**

The Passenger Seat Installation Kit contains, only, all fasteners and hardware required to install a passenger seat to the vehicle. For complete Passenger Seat replacement, a specific Passenger Seat selection is required in addition to this hardware kit.

**Installation Instructions:****Removal**

1. Remove solo seat if already equipped. See kit # 90800099

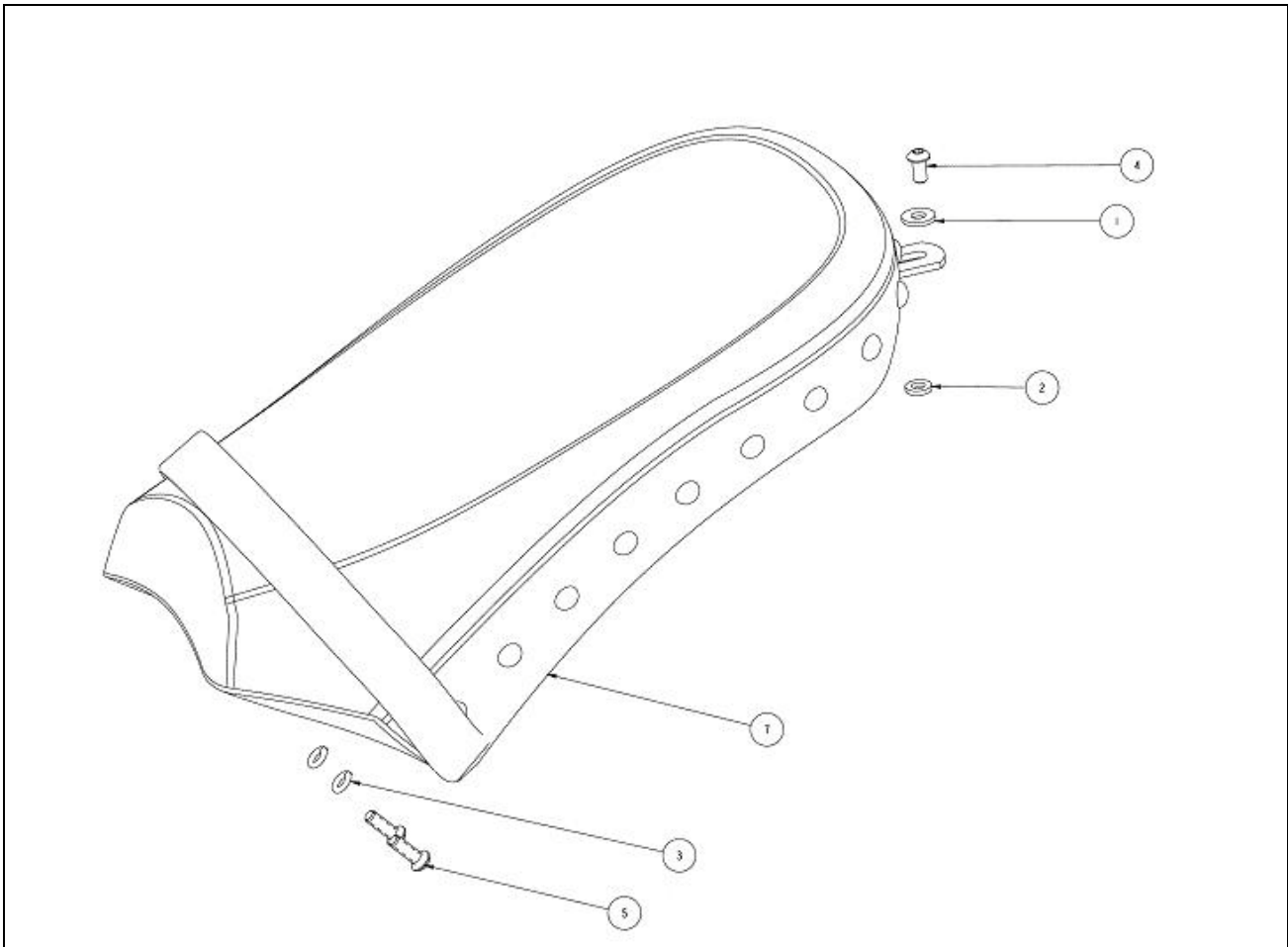
*Note: the passenger pillion will only work with solo seat and will NOT work with seat grab rail.*

**Installation**

2. With solo seat removed from motorcycle, turn upside down for access to bottom of seat pan.  
*Note: Caution should be used on seat not to damage leather*
3. Align passenger seat (#7) bracket holes with holes in solo seat pan
4. Install 2x fasteners (#5) with washers (#3). Torque to 74-88 lbs. inch
5. Install solo seat with pillion on motorcycle. See kit # 9080099 for complete install instructions of solo seat.  
*Note: Seat fasteners torque specification is 74-88 lbs. inch*
6. Install rubber grommet (#2) between pillion bracket and rear fender to prevent paint damage
7. Install fastener (#4) with washer (#1) through solo seat bracket. Torque to 10-15 lbs. inch

***Warning: After installing seat, pull upward on seat to ensure the seat is secured in position. If the seat is not properly secured, the seat shift can cause loss of control, which could result in serious injury.***

**Exploded View of Assembly:**



**Kit Bill of Material:**

ITEM	PART NUMBER	PART DESCRIPTION	QTY
1	70496920	1/4" Flat Washer, Steel, Chrome	1
2	70496383	1/4" ID X 1/2" OD Rubber Grommet	1
3	70400012	1/4" Split Lock Washer	2
4	70100046	1/4-20 X .5" Button Head Cap Screw, Chrome	1
5	70197360	1/4-20 X .75" Button Head Cap Screw, Chrome	2
	90800121	Passenger Seat Installation Instruction Sheet	1

**Additional Kit Requirements:**

ITEM	PART NUMBER	PART DESCRIPTION	QTY
	Select From Below	PASSENGER SEAT	
7	51600056	Black, Passenger Seat, no Fringe	1
7	51600058	Tan, Passenger Seat, no Fringe	1
7	51600060	Red, Passenger Seat, no Fringe	1

7	51600099	Distressed Tan, Passenger Seat, no Fringe	1
7	51600101	Tan Suede, Passenger Seat, no Fringe	1

**Kit Retro-fit-ability to Existing Models:**

Y: Directly Retro-fit-able

M: Retro-fit-able with some modification, see your local service provider for details

N: Not Retro-fit-able

MODEL YEAR	MODEL FAMILY				
	CHIEF	SCOUT	N/A	N/A	N/A
1998	N	N			
1999	N	N			
2000	N	N			
2001	N	N			
2002	N	N			
2003	M	N			
2004	M	N			
2009 +	Y	N			

**Disclaimer:**

To help maintain the value of your motorcycle and to keep from voiding your factory warranty, please remember that skilled technicians using equipment and methods recommended by IMC are best qualified to perform all major repairs and service including installation of Parts and Accessories. Your authorized Indian Motorcycle Dealer knows your motorcycle best and should be consulted for service and assistance.