



INSTRUCTIONS

Applicable Kit Number/s:

90500137, REV A

Kit Description:

This kit is for one chrome license plate frame with the Indian logo engraved. Hardware necessary for installation is included.

Installation Instructions:

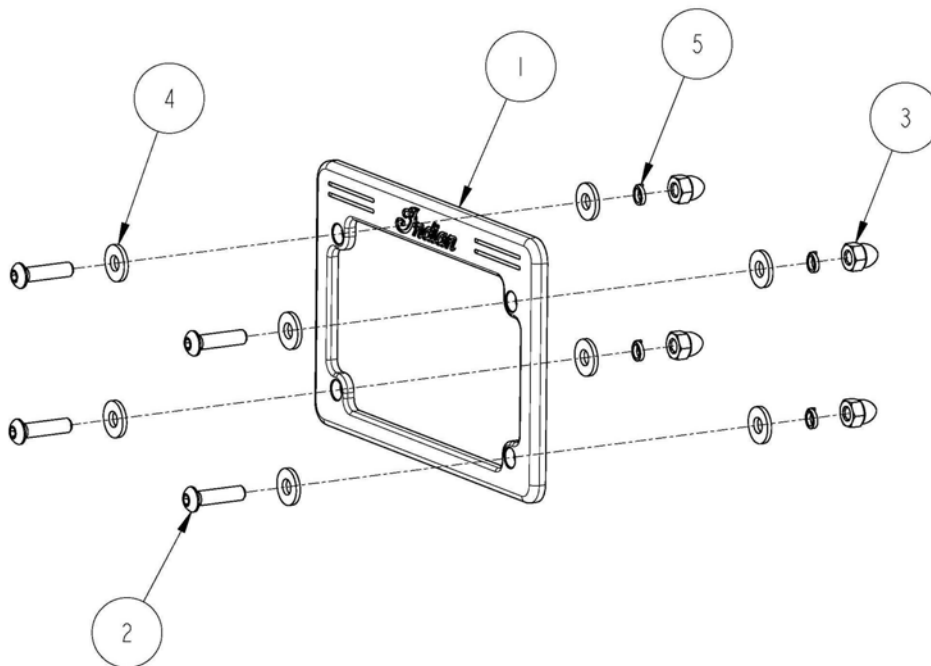
Removal

1. Remove four license plate frame fasteners and hardware
2. Discard all fasteners and hardware.

Install

1. Align license plate and license plate frame (1) on motorcycle
2. Install fastener (2) and washer (4) through license plate frame (1) and license plate.
3. Install flat washer (4), lock washer (5) and acorn nut (3). Finger tight only.
4. Repeat steps 2-3 for other three fasteners.
5. Align plate and license plate frame to ensure they are level and square.
6. Torque fasteners to 23-27 lbs inch.

Exploded View of Assembly:



Kit Bill of Material:

ITEM	PART NUMBER	PART DESCRIPTION	QTY
1	51300063	LICENSE PLATE FRAME, SCRIPT	1
2	70100073	¼-20 X 1.00 BHCS, CHR	4
3	70396865	¼-20 HEX ACORN NUT, CHR	4
4	70496920	¼ FLAT WASHER, CHR	8
5	70496936	¼ LOCK WASHER, CHR	4
6	90800003	INSTRUCTION SHEET	1

Additional Kit Requirements:

- None

Kit Retro-fit-ability to Existing Models:

Y: Directly Retro-fit-able

M: Retro-fit-able with some modification, see your local service provider for details

N: Not Retro-fit-able

MODEL YEAR	MODEL FAMILY					
	CHIEF	SCOUT	N/A	N/A	N/A	N/A
1998						
1999						
2000						
2001						
2002						
2003						
2004						
2009 +	Y	N/A				

Disclaimer:

To help maintain the value of your motorcycle and to keep from voiding you factory warranty, please remember that skilled technicians using equipment and methods recommended by IMC are best qualified to perform all major repairs and service including installation of Parts and Accessories. Your authorized Indian Motorcycle Dealer knows your motorcycle best and should be consulted for service and assistance.