



# INSTRUCTIONS

**Kit Number:**

90500314 REV A

**Kit Description:**

The Highway Bar Cover Installation Kit contains all components and instructions to install Highway Bar Covers to the vehicle. A specific Highway Bar Cover Set selection is required.

**Installation Instructions:**

1. Layout highway bar cover (2) on highway bars to determine where the lacing will line up on highway bar.

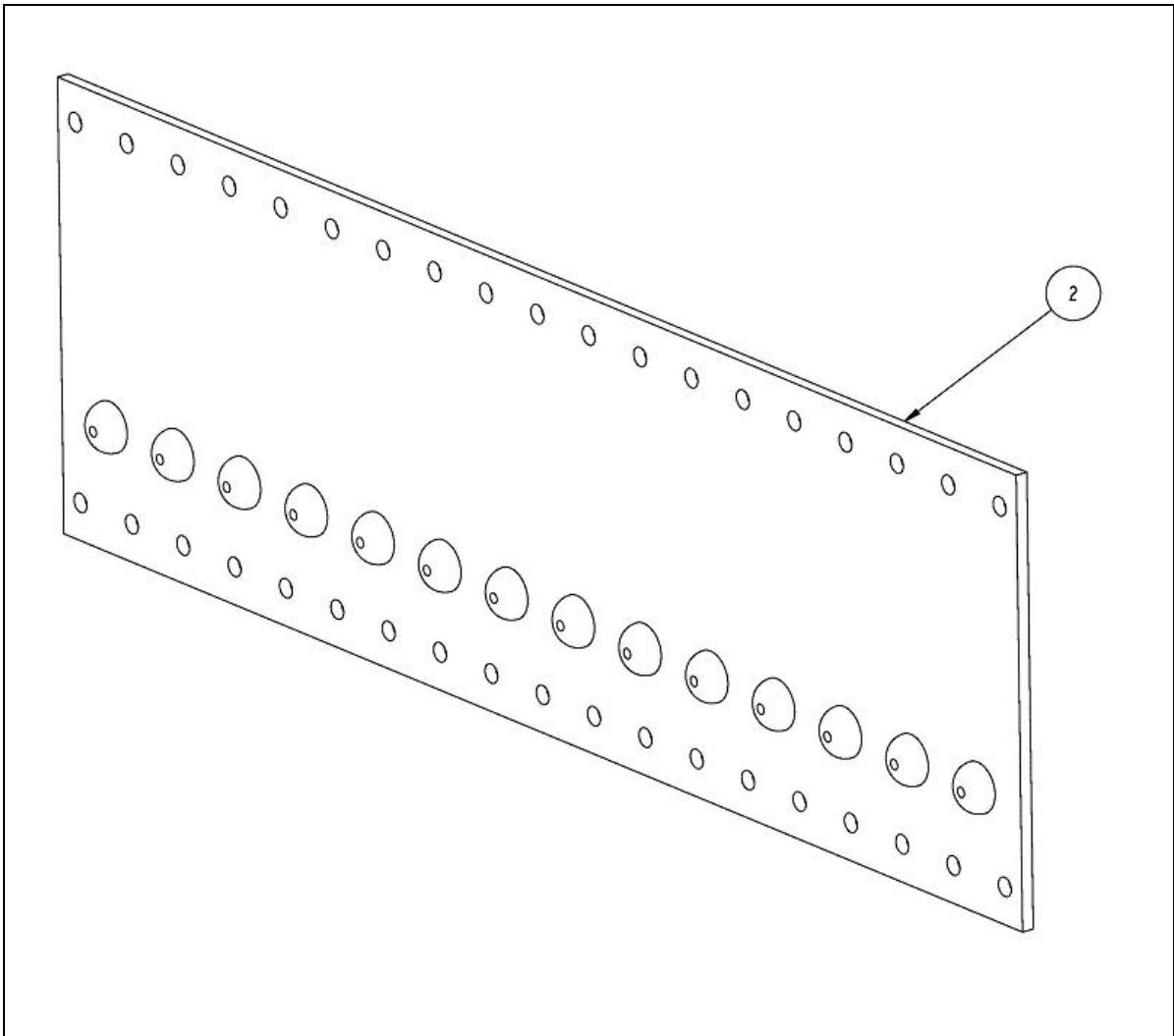
*Recommendation: Have the lacing of the highway bar cover facing forward gives the most visual effect for the lacing. Having the studs on the highway cover facing forward gives the most visual effect for the studs.*

2. The lacing has a leather side and a suede side. Always lace the cover so that the leather side is facing out and on the outside of the cover.
3. The lacing process should start at the inside (toward frame) and work its way out toward the outside of the bike.
4. Start lacing the cover leaving approximately 2.0" to 2.5" of lace at the end. This is called the tail end for reference.
5. Tuck the tail end under the cover as you are lacing the cover onto the highway bar. This will tighten down and keep the lace from pulling out.
6. Lacing the highway bar cover in a cross pattern will give a larger visual affect.
7. While lacing the cover, keep pulling the cover tighter to remove gaps and slack in cover.
8. Be sure to keep the cover aligned while lacing.
9. While lacing the last two holes, do not pull tight.

*Note: Keep pulling and removing gaps and slack in cover while aligning the lacing.*

10. Slip the remaining lacing through the last two lacings.
11. The lacing should be tucked in the cover and not be seen when completed.
12. . Repeat for the all covers.

**Exploded View of Assembly:**



**Kit Bill of Material:**

ITEM	PART NUMBER	PART DESCRIPTION	QTY
1	90800093	Highway Bar Cover Installation Instructions	1
2	Select Below	Highway Bar Cover, Set	1

**Additional Kit Requirements:**

PART NUMBER	PART DESCRIPTION	QTY
53100109	Highway Bar Cover Set, Premium Black	1
53100087	Highway Bar Cover Set, Premium Brown	1
53100088	Highway Bar Cover Set, OE Black	1
53100089	Highway Bar Cover Set, OE Tan	1
53100118	Highway Bar Cover Set, Distressed Tan	1

**Kit Retro-fit-ability to Existing Models:**

Y: Directly Retro-fit-able

M: Retro-fit-able with some modification, see your local service provider for details  
 N: Not Retro-fit-able

MODEL YEAR	MODEL FAMILY					
	CHIEF	SCOUT	N/A	N/A	N/A	N/A
1998	N	N				
1999	N	N				
2000	N	N				
2001	N	N				
2002	N	N				
2003	M	N				
2004	M	N				
2009 +	Y	N				

***Disclaimer:***

To help maintain the value of your motorcycle and to keep from voiding your factory warranty, please remember that skilled technicians using equipment and methods recommended by IMC are best qualified to perform all major repairs and service including installation of Parts and Accessories. Your authorized Indian Motorcycle Dealer knows your motorcycle best and should be consulted for service and assistance.