



# INSTRUCTIONS

**Kit Number:**

90500313 REV A

**Kit Description:**

The Floorboard Cover Installation Kit contains all components and instructions to install a set of Floorboard Covers to the vehicle. A specific Floorboard Cover Set selection is required.

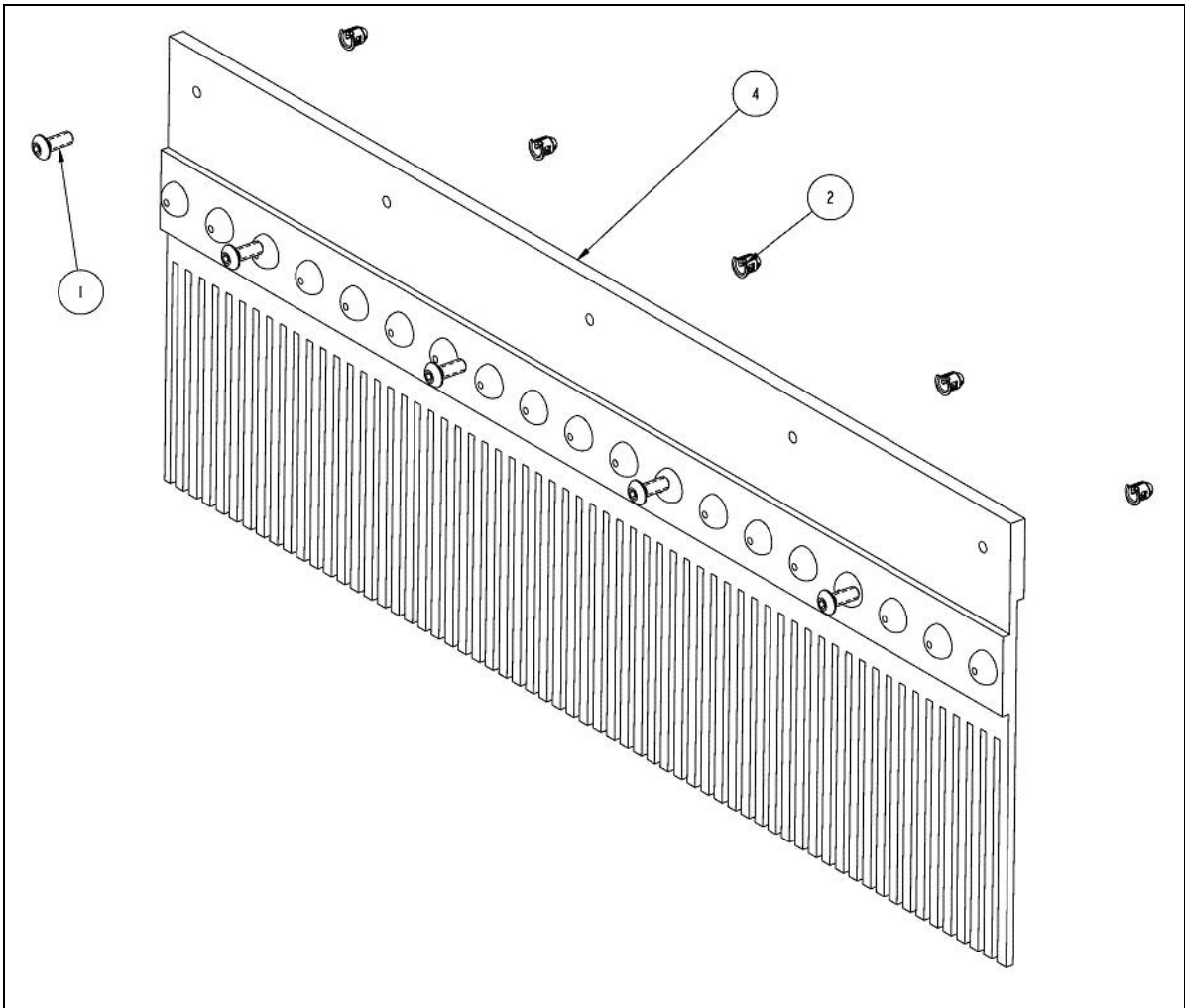
**Installation Instructions:**

Install a single piece of 2" tape around the perimeter of the floorboard. Tape should be positioned such that the edge of the tape follows the tangent of the radius on the edge of the floorboard.

2. Using a flexible scale and the sharp tipped marker, measure down from the edge of the tape approximately 5-7mm and create a guide line along the perimeter of the floorboard.
3. Wrap the Floorboard Cover around the perimeter of the floorboard, tightly molding the Floorboard Cover to the floorboard. The top edge of the Floorboard Cover should be approximately even with the top edge of the floorboard perimeter.
4. Adjust position of the Floorboard Cover so that the ends of the Floorboard Cover are evenly matched front to rear, so that each end of the Floorboard Cover is positioned just short of the radius on the backside of the floorboard.
5. Using the sharp tipped mark, mark the location of each end of the Floorboard Cover on the masking tape.
6. While holding the position of the Floorboard Cover as described in STEPS #3 and #4, return to the center of the Floorboard Cover, lift the decorative side of the cover to expose the center mounting hole, and transfer this hole position to the masking tape using the sharp tipped marker.
7. Using the center punch, punch the center hole location on the mark on the masking tape.
8. Using the .125" drill, drill through the floorboard, at the center punch location.
9. Using the .25" drill, drill through the floorboard, expanding the .125" hole to the final size of .25".
10. Using the soft blow hammer, install the 1/8" Tubular Nut (2), into the .25" hole.
11. Install a #10-24X.5" fastener (1) through the center hole of the Floorboard Cover.
12. Using the soft blow hammer, install the Floorboard Cover and fastener onto the floorboard, tapping them into the tubular nut installed in STEP #10.
13. With the Floorboard Cover installed to the floorboard using the single center fastener,  
again tightly mold the Floorboard Cover to the floorboard by hand, checking that the end locations align with marks created in STEP #5.

14. Using the Floorboard Cover as a template, transfer one hole position left of the center mount hole, and one hole position right of the center mount hole to the masking tape with the sharp tipped marker. Pay close attention to the top edge alignment of the Floorboard Cover and the floorboard itself, the (2) newly marked positions should fall on or nearly on the constructed line during STEP #2.
15. Using the center punch, punch the center hole location of each new mark on the masking tape.
16. Using the .125" drill, drill through the floorboard, at the center punch locations.
17. Using the .25" drill, drill through the floorboard, expanding the .125" holes to their final size of .25".
18. Using the soft blow hammer, install the 1/8" Tubular Nut (2) into each of the .25" holes.
19. Install a #10-24X.5" fastener (1) through each hole, one left and one right of the center mount hole position, of the Floorboard Cover.
20. Using the soft blow hammer, drive the two fasteners into the floorboard, tapping them into the tubular nuts installed in STEP #18.
21. Repeat STEPS #14-#20, for the remaining two hole positions. Always pull the floorboard cover tightly to the floorboard and check the alignment of the ends prior to transferring the hole positions.
22. Use 1/8" allen drive to remove all fasteners and detach the floorboard cover.
23. Remove tape from floorboard.
24. Using the soft blow hammer, the floorboard cover can be finish installed by driving each fastener into its tubular nut.

***Exploded View of Assembly:***



**Kit Bill of Material:**

ITEM	PART NUMBER	PART DESCRIPTION	QTY
1	70100031	10-24 X .5 Socket Head Cap Screw, Z/C	10
2	70300020	1/8" Tubular Nut	10
3	90800088	Floorboard Cover Installation Instructions	1
4	Select Below	Floorboard Cover, Set	1

**Additional Kit Requirements:**

PART NUMBER	PART DESCRIPTION	QTY
53100081	Floorboard Cover Pair, Black and Brown	1
53100082	Floorboard Cover Pair, Brown and Black	1
53100083	Floorboard Cover Pair, OE Black	1
53100085	Floorboard Cover Pair, OE Tan	1
53100116	Floorboard Cover Pair, Distressed Tan	1

**Kit Retro-fit-ability to Existing Models:**

Y: Directly Retro-fit-able

M: Retro-fit-able with some modification, see your local service provider for details

N: Not Retro-fit-able

MODEL YEAR	MODEL FAMILY					
	CHIEF	SCOUT	N/A	N/A	N/A	N/A
1998	N	N				
1999	N	N				
2000	N	N				
2001	N	N				
2002	N	N				
2003	M	N				
2004	M	N				
2009 +	Y	N				

***Disclaimer:***

To help maintain the value of your motorcycle and to keep from voiding your factory warranty, please remember that skilled technicians using equipment and methods recommended by IMC are best qualified to perform all major repairs and service including installation of Parts and Accessories. Your authorized Indian Motorcycle Dealer knows your motorcycle best and should be consulted for service and assistance.