



INSTRUCTIONS

Applicable Kit Number/s:

90500181 REV A

Kit Description:

This Chrome Swingarm Kit comes complete with the items listed in the Bill of Material.

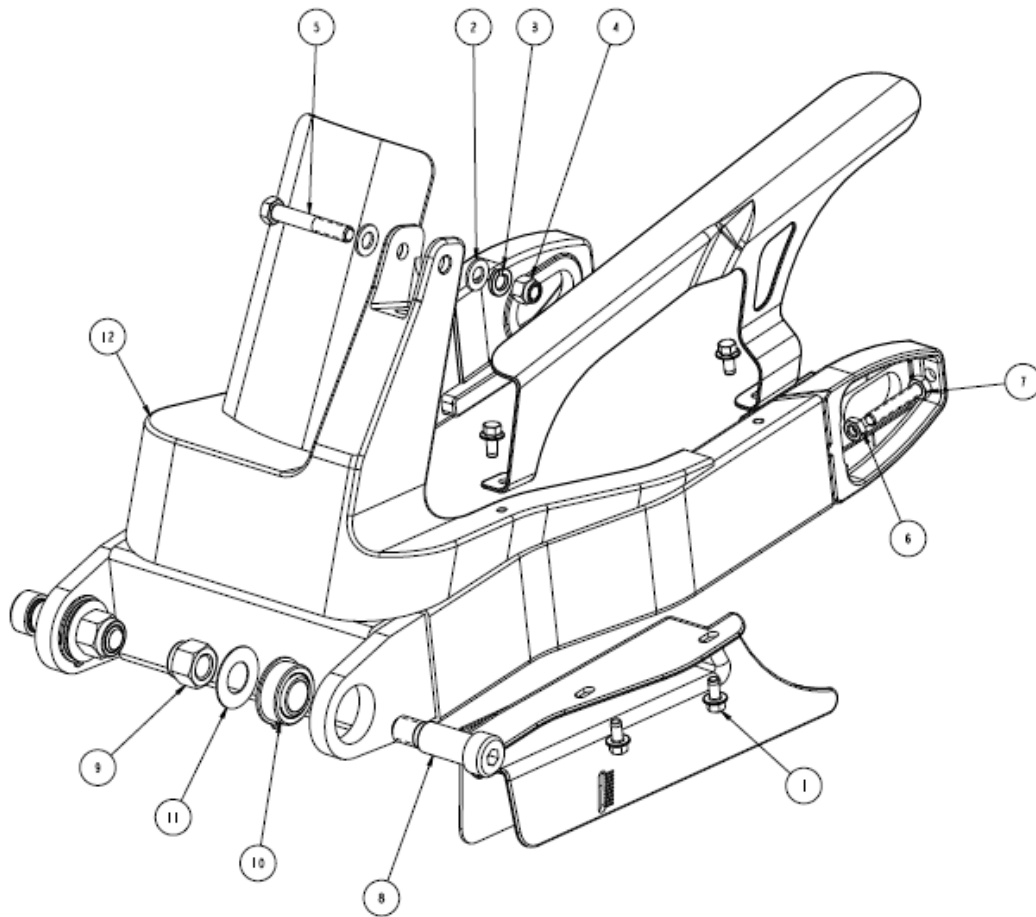
Installation Instructions:**Removal**

1. Remove rear wheel (see service manual instructions)
2. Remove upper and lower belt guards
3. Remove rear shock lower mount fasteners and discard
4. Remove swing arm mounting fasteners and discard
5. Remove swing arm

Install

1. Install new spherical bearings (10) into swing arm using suitable tool (example: JIMs tool #2250)
2. Carefully install swing arm onto bike.
3. Install new mounting fastener (8), washer (11) and nut (9) for both sides
4. Torque to 55-65 lbs. ft
5. Install new rear shock mounting fastener(5), washers (2,3) and nut (4)
6. Torque to 29-35 lbs. ft
7. Install lower belt guard and fasteners. Torque to 100-110 lbs. inch
8. Install upper belt guard and fasteners. Torque to 100-110 lbs. inch
9. Install rear wheel (see service manual instructions)

Exploded View of Assembly:



Kit Bill of Material:

ITEM	PART NUMBER	PART DESCRIPTION	QTY
1	70100067	1/4-20X0.50 HFHS, SELF-TAPPING	4
2	70496895	3/8 FLT WSHR, TYPE B-N, STL, Z/C	2
3	70496904	3/8 LOCK WSHR, SPLIT, REG, Z/C	1
4	70396397	3/8-16 HEX NUT-NYLOC, JAM, GC, Z/C	1
5	70196362	3/8-16 X 2.25 HHCS, G8, Z/C	1
6	70397624	5/16-18 HEX NUT-JAM, G5, Z/C	2
7	70197625	5/16-18 X 2.50 HHCS, SS, PS	2
8	70196368	5/8 X 1.50 SHSS Z/C	2
9	70396369	5/8-11 HEX NUT-NYLOC, GC, Z/C	2
10	90800007	INSTR, SWINGARM, CHR	1
11	71316005	SWINGARM BEARING	2
12	70400050	SWINGARM SPACER	2
13	50500000	SWINGARM, CHROME	1
14	90800007	INSTR, SWINGARM, CHROME	1

Additional Kit Requirements:

ITEM	KIT NUMBER	KIT DESCRIPTION	QTY
1	XXXXXXXX1	Description of Required Kit 1	X
2	XXXXXXXX2	Description of Required Kit 2	X
3	XXXXXXXX3	Description of Required Kit 3	X

Kit Retro-fit-ability to Existing Models:

Y: Directly Retro-fit-able

M: Retro-fit-able with some modification, see your local service provider for details

N: Not Retro-fit-able

MODEL YEAR	MODEL FAMILY					
	CHIEF	SCOUT	N/A	N/A	N/A	N/A
1998	N	N				
1999	N	N				
2000	N	N				
2001	N	N				
2002	N	N				
2003	N	N				
2004	N	N				
2009 +	Y	N				

Disclaimer:

To help maintain the value of your motorcycle and to keep from voiding your factory warranty, please remember that skilled technicians using equipment and methods recommended by IMC are best qualified to perform all major repairs and service including installation of Parts and Accessories. Your authorized Indian Motorcycle Dealer knows your motorcycle best and should be consulted for service and assistance.