



# INSTRUCTIONS

**Kit Number:**

90500284 REV A

**Kit Description:**

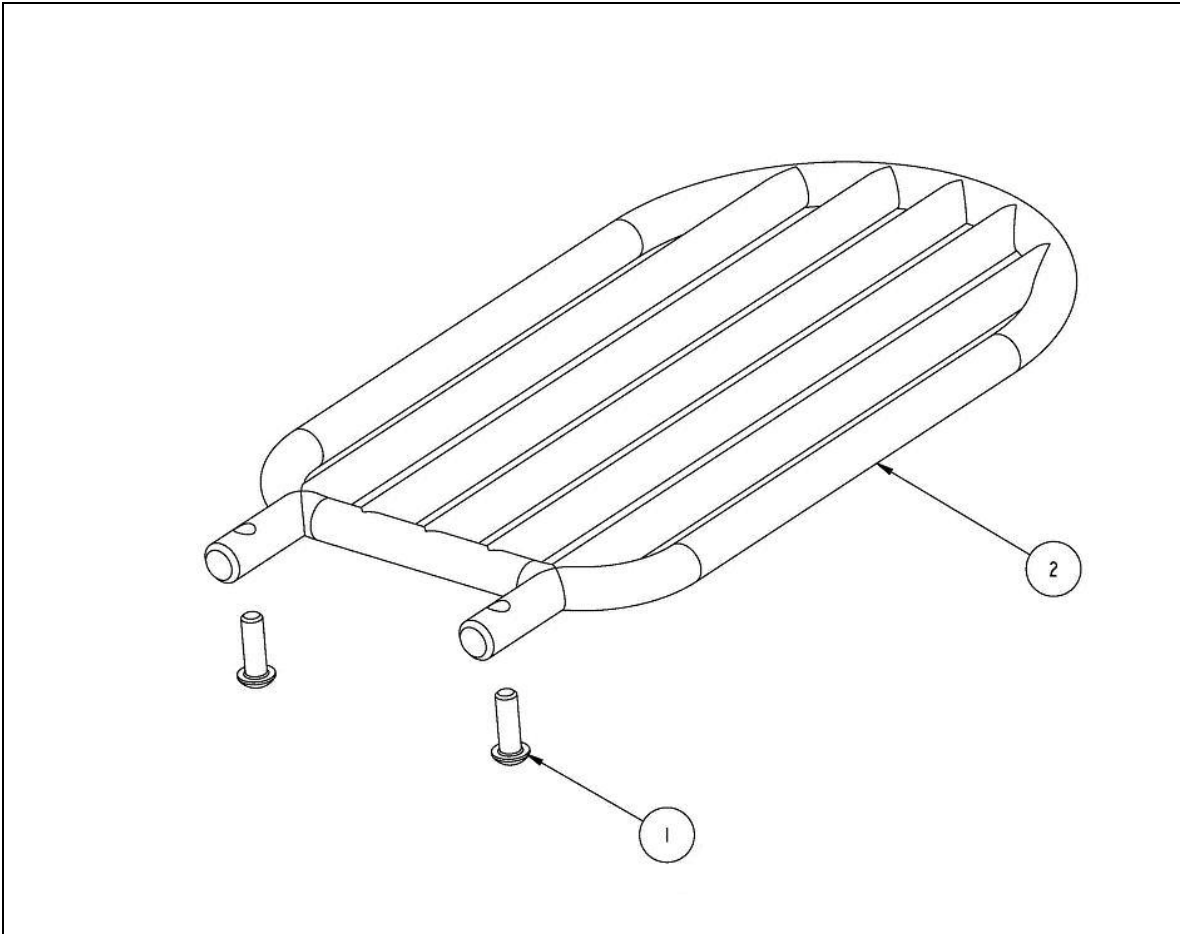
The Backrest Rack kit includes a backrest rack and required fasteners.

**Installation Instructions:**

Installation

1. Install backrest rack (2) with fasteners (1) to backrest support
2. Torque to 95-110 lbs. inch

**Exploded View of Assembly:**



**Kit Bill of Material:**

ITEM	PART NUMBER	PART DESCRIPTION	QTY
1	70196806	¼-20X.75, Button Head Cap, Chrome	2
2	53200010	Backrest Rack	1

**Additional Kit Requirements:NONE**

**Kit Retro-fit-ability to Existing Models:**

Y: Directly Retro-fit-able

M: Retro-fit-able with some modification, see your local service provider for details

N: Not Retro-fit-able

MODEL YEAR	MODEL FAMILY					
	CHIEF	SCOUT	N/A	N/A	N/A	N/A
1998	N	N				
1999	N	N				
2000	N	N				
2001	N	N				
2002	N	N				
2003	M	N				
2004	M	N				
2009 +	Y	N				

**Disclaimer:**

To help maintain the value of your motorcycle and to keep from voiding you factory warranty, please remember that skilled technicians using equipment and methods recommended by IMC are best qualified to perform all major repairs and service including installation of Parts and Accessories. Your authorized Indian Motorcycle Dealer knows your motorcycle best and should be consulted for service and assistance.